

GMV6

Ultra Heat GMV6 Mini 60K



Item	Unit	Specification
Model	—	GMV-V60WL/C-T(U)
Performance		
Rated Cooling Capacity	Btu/h	60000
Rated Heating Capacity	Btu/h	60000
Sound Pressure Level	dB(A)	55
Operating Temperature Range	Cooling (Outdoor) °C/°F	-18°C(0°F)~54°C(129°F)
	Heating (Outdoor) °C/°F	-30°C(-22°F)~27°C(81°F)
AHRI Ratings(Ducted/Non-Ducted)		
EER2	Btu/h.W	9.0/11.0
COP	W/W	1.9/2.1
SEER2	-	17.0/21.0
HSPF2	-	8.3/9.2
Electrical Data		
Power Supply	V/Ph/Hz	208~230/1/60
Maximum Overcurrent Protection (MOP)	A	40
Minimum Circuit Amps (MCA)	A	38.8
Fan		
Type x Quantity	—	Axial-flow
Air Flow Volume	CFM	3885
Fan Motor Power Output	W	120
Compressor		
Compressor Type x Quantity	—	Inverter Rotary
Compressor Refrigerant Oil Type	—	FW68L (FW68DA)
Compressor Refrigerant Oil Charge Volume	L/Gal	1.5
Refrigerant Piping		
Connection Pipe	Gas(mm/inch)	Φ15.9/ 5/8
	Liquid(mm/inch)	Φ9.52/3/8
Max. Equivalent Connection Pipe Length	m/ft	60/196 7/8
Refrigerant Charge	kg/oz	4/141.12
Refrigerant	—	R410A
Dimension/Weight		
Dimensions (H×W×D)	mm/inch	1345×900×340 53×35-3/8×13-3/8
Net Weight	kg/lbs	113/250
Other		
Indoor Unit	Total Capacity (%)	50%~135%
	Max Connectable Quantity	10
Certification	-	AHRI/ETL/NEEP
Condenser Fin Color	-	Golden

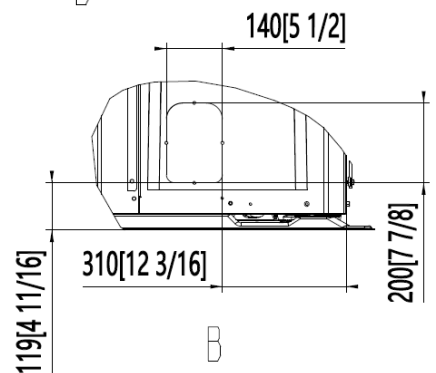
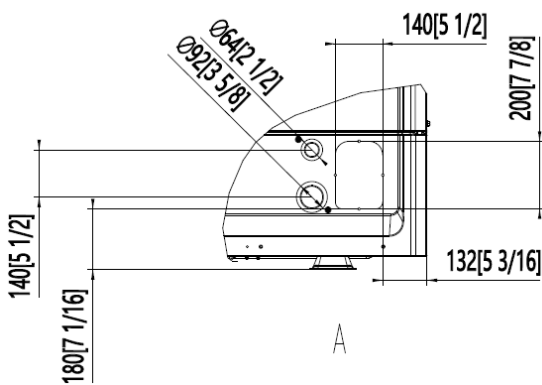
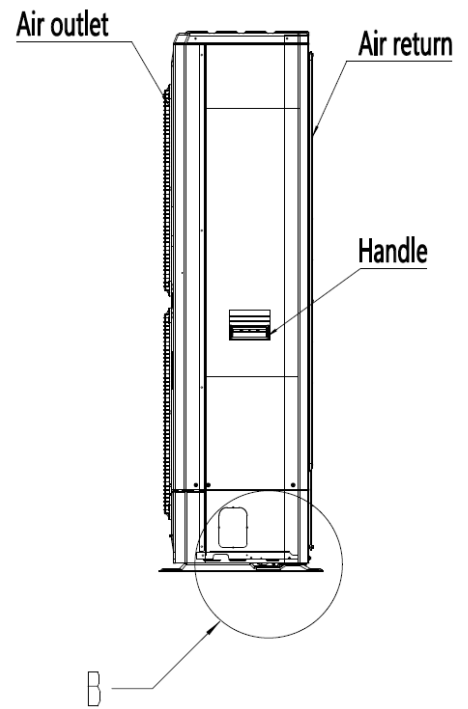
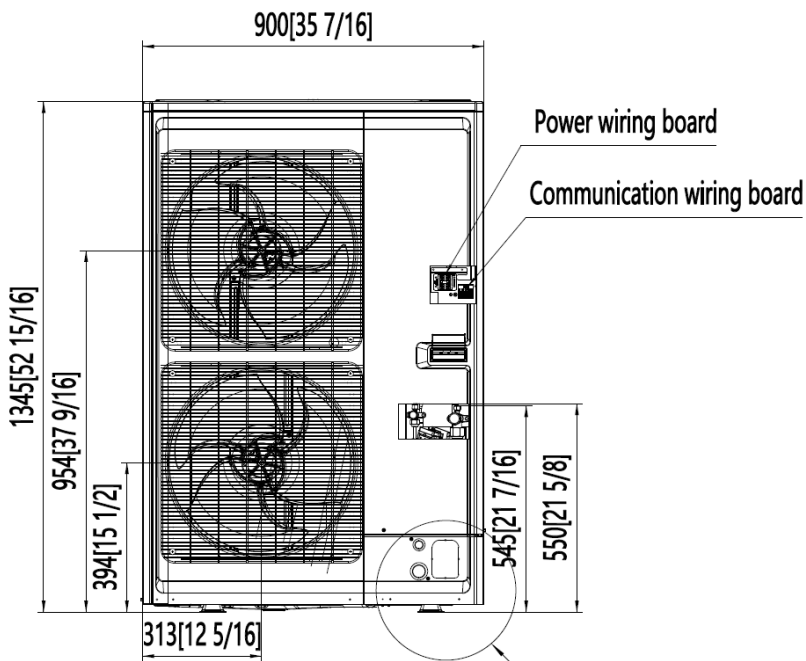
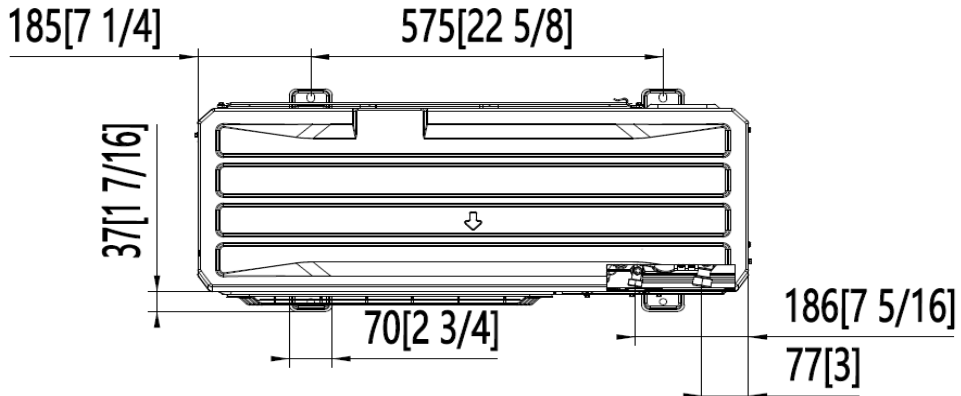
Job Name:

Schedule Reference:

Date:

Specification are subject to change without notice.

Outline and Physical Dimensions of GMV-V60WL/C-T(U)



Unit outline dimension: mm(inch)

GREE ELECTRIC APPLIANCES, INC. OF ZHUHAI