



SUBMITTAL DATA

GWH12ATCXB-A3DNA3C/I / GWH12ATCXB-A3DNA1C/O
12000 BTU/H Wall Mounted Heat Pump System

Job Name

Location

Date

Purchaser

Engineer

Submitted to

For

Unit Designation

Schedule No.



YAP1F7F



GWH12ATCXB-A3DNA3C/I



GWH12ATCXB-A3DNA1C/O



XE71 (Optional)

GENERAL FEATURES

- AHRI Certificate: [209276090](#)
- High Efficiency DC Inverter Technology
- Compact and Quiet Design
- Wireless Remote with LCD Display
- Wired Controller Options
- 10 Years Parts Warranty
- Wi-Fi Included
- Low Ambient Cooling down to 0°F (Range 0°F to 115°F)
- Low Ambient Heating down to -13°F (Range -13°F to 75°F)
- Coil (Indoor and Outdoor) Copper Tube / Aluminum Fin
- Blue Colored Fin - 500 Hrs Salt Spray Tested

SPECIFICATIONS, FEATURES & FUNCTION SUMMARY

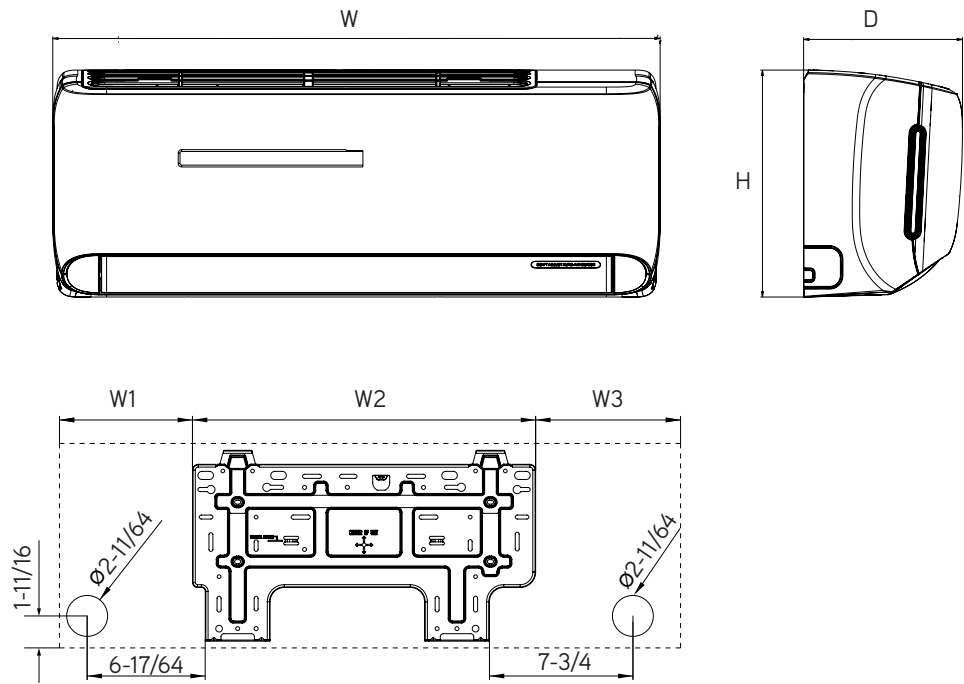
SPECIFICATIONS		GWH12ATCXB-A3DNA3C		FEATURES & FUNCTIONS SUMMARY		GWH12ATCXB-A3DNA3C	
System Type		HEAT PUMP					
SYSTEM PERFORMANCE				SYSTEM FEATURES			
Cooling	Min - Max	Btu/h	2388 - 13307	Inverter Type	G10		
	Capacity @95°F	Btu/h	12000	Ultra Low Frequency Torque Control	Yes		
Heating	Min - Max	Btu/h	2388 - 15013	Power Factor Correction	Yes		
	Capacity @5°F	Btu/h		Compressor Type	High Efficiency Rotary		
	Capacity @17°F	Btu/h	6800	Refrigerant Type	R410A		
	Capacity @47°F	W	12000	Basepan With Electric Heater	Yes		
SEER2			17.5	Compressor With Electric Heater	Yes		
EER2			8.7	Outdoor Fin Coating (Color:Blue)	Acrylic-Resin/Anti-Corrosive		
HSPF/HSPF2			10/8.5	Intelligent Defrosting	Yes		
COP @5°F			3.5	Force Defrosting	Yes		
COP @47°F				Intelligent Preheating	Yes		
Cooling Temperature Range	°F	0 - 115		Low Voltage Startup	Yes		
Heating Temperature Range	°F	-13 - 75		Memory/Power Failure Recovery	Yes		
Refrigerant Type			R410A	Self Diagnosis	Yes		
INDOOR UNIT		GWH12ATCXB-A3DNA3C/I		Wired Controller Interface (XE71)	Yes		
Air flow (Min-Max)	CFM	159 - 353		WiFi Included	Yes		
Sound Pressure Level (Min - Max)	dB(A)	26 - 41		Indoor Fan Type	Crossflow		
Dehumidification	pt/hr	1.69		Multi Fan Speeds	4 Speeds		
External Dimensions (WxHxD)	in	32-7/8 x 10-7/8 x 7-7/8		Indoor Unit Display	Yes		
Package Dimension (W x H x D)	in	35-1/4 x 13-5/8 x 10-11/16		Auxiliary Electrical Heater	No		
Net Weight	lbs	19.8		Ventilation (Outdoor Air)	No		
Gross Weight	lbs	24.3		REMOTE CONTROLLER FUNCTIONS			
OUTDOOR UNIT		GWH12ATCXB-A3DNA1C/O		Auto Mode	Yes		
Compressor Type			GREE G-10 / 2 - STAGE INVERTER	Auto Fan	Yes		
Sound Pressure Level	dB(A)	52		Manual Horizontal Swing	Yes		
External Dimensions (W x H x D)	in	28-13/16 x 21-7/8 x 13		Auto Swing (Vertical Auto Swing)	Yes		
Package Dimension (W x H x D)	in	31-5/16 x 24-3/4 x 14-13/16		Clock on Remote Controller	Yes		
Net Weight	lbs	59.5		Dry Mode	Yes		
Gross Weight	lbs	65.0		Dry Anti-Mildew (X-Fan) Mode	Yes		
REFRIGERANT PIPING				Energy Saving Mode	Yes		
Refrigerant Charge - R410A	oz	24.7		Dirty Filter Alert	No		
Additional Charge	oz/ft	0.2		I Feel Function	Yes		
Line Set Size (Liquid - Gas) - Flared Connections	in	1/4 - 3/8		Lock on Remote Controller	Yes		
Pre-Charge Length	ft	25		Quiet Mode	No		
Pipe Length (Min - Max)	ft	10 - 66		Room Temperature Display	Yes		
Max. Pipe Elevation	ft	33		Sleep Mode	Yes		
ELECTRICAL				Timer Mode	Yes		
Power Supply			115V / 1Ph /60Hz	Turbo Mode	Yes		
Voltage Range (Min - Max)	VAC	103 - 127		Display On/Off Control	Yes		
Rated Current - Cooling	A	18		Freeze Guard Mode (46°F)	Yes		
Rated Current - Heating	A	18		Display On/Off Control	Yes		
MCA	A	20					
MOCP	A	30					
Suggested Breaker Size	A	20					
Main Power Wire Size	AWG	Per Local Code					
Interconnecting Wire Size	AWG	14 / 4					

DIMENSIONS

INDOOR UNIT

Unit: inch

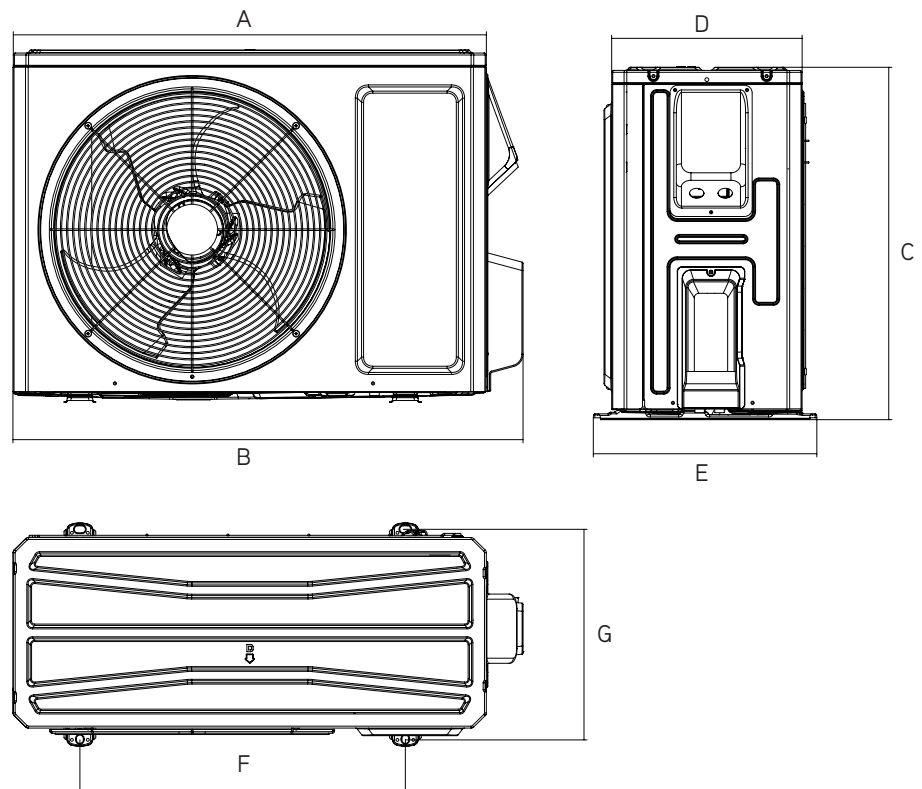
GWH12ATCXB-A3DNA3C/I	
DIMENSIONS	
W	32-7/8
H	10-7/8
D	7-7/8
W1	7-3/64
W2	18-5/32
W3	7-11/16



OUTDOOR UNIT

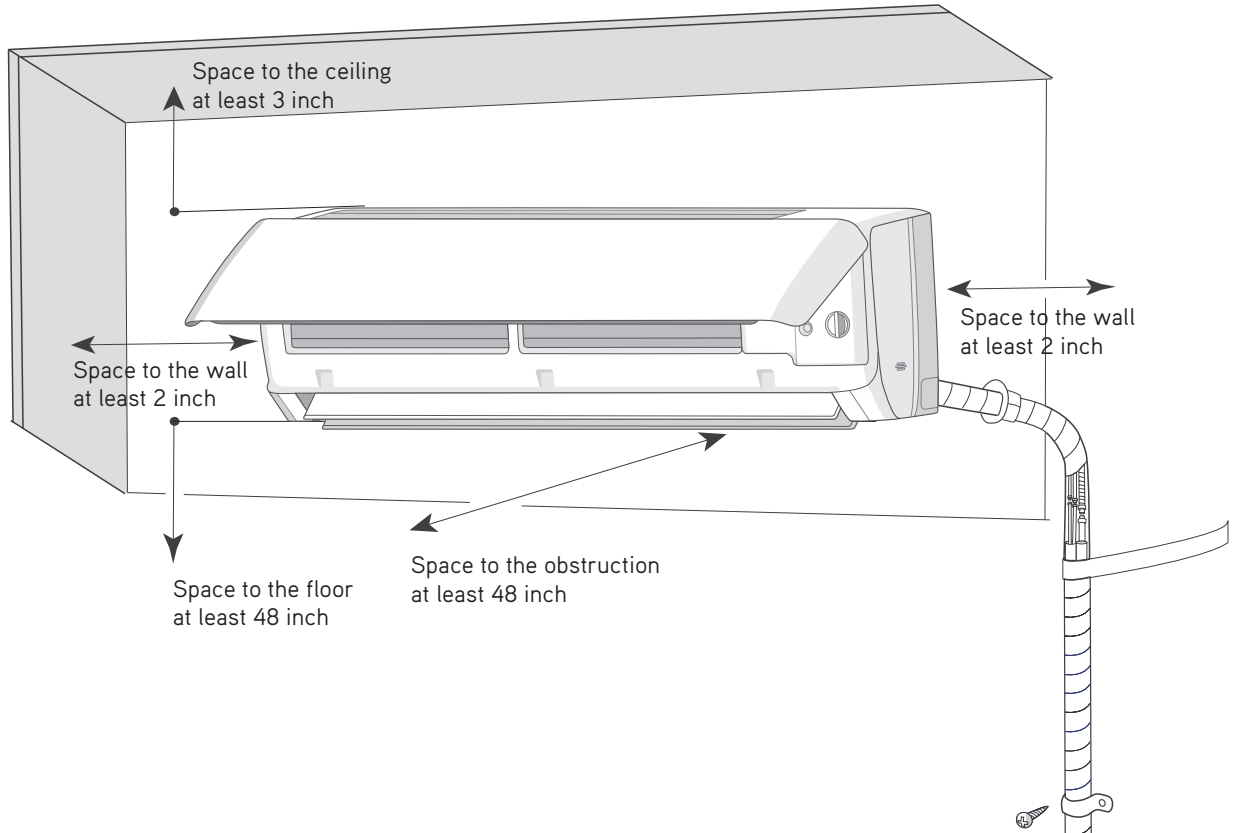
Unit: inch

GWH12ATCXB-A3DNA1C/O	
DIMENSIONS	
A	26-37/64
B	28-13/16
C	21-7/8
D	11-7/32
E	13
F	17-29/32
G	12-13/64

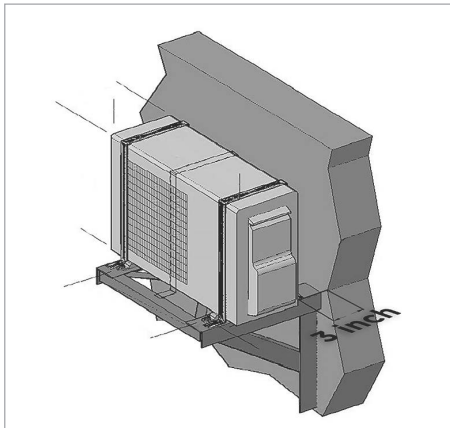


CLEARANCES

INDOOR UNIT Minimum clearance



OUTDOOR UNIT Minimum clearance



NOTE:

If bottom of the unit is free of airflow obstructions similar to the mounting bracket figure, the clearance to the wall on the back can be reduced to 3 inches.

