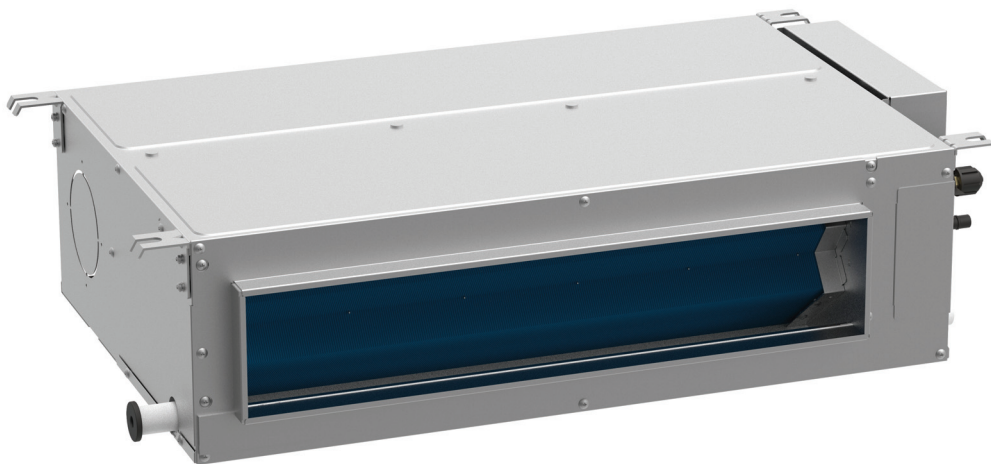


208~230V Low ESP Fan Coil

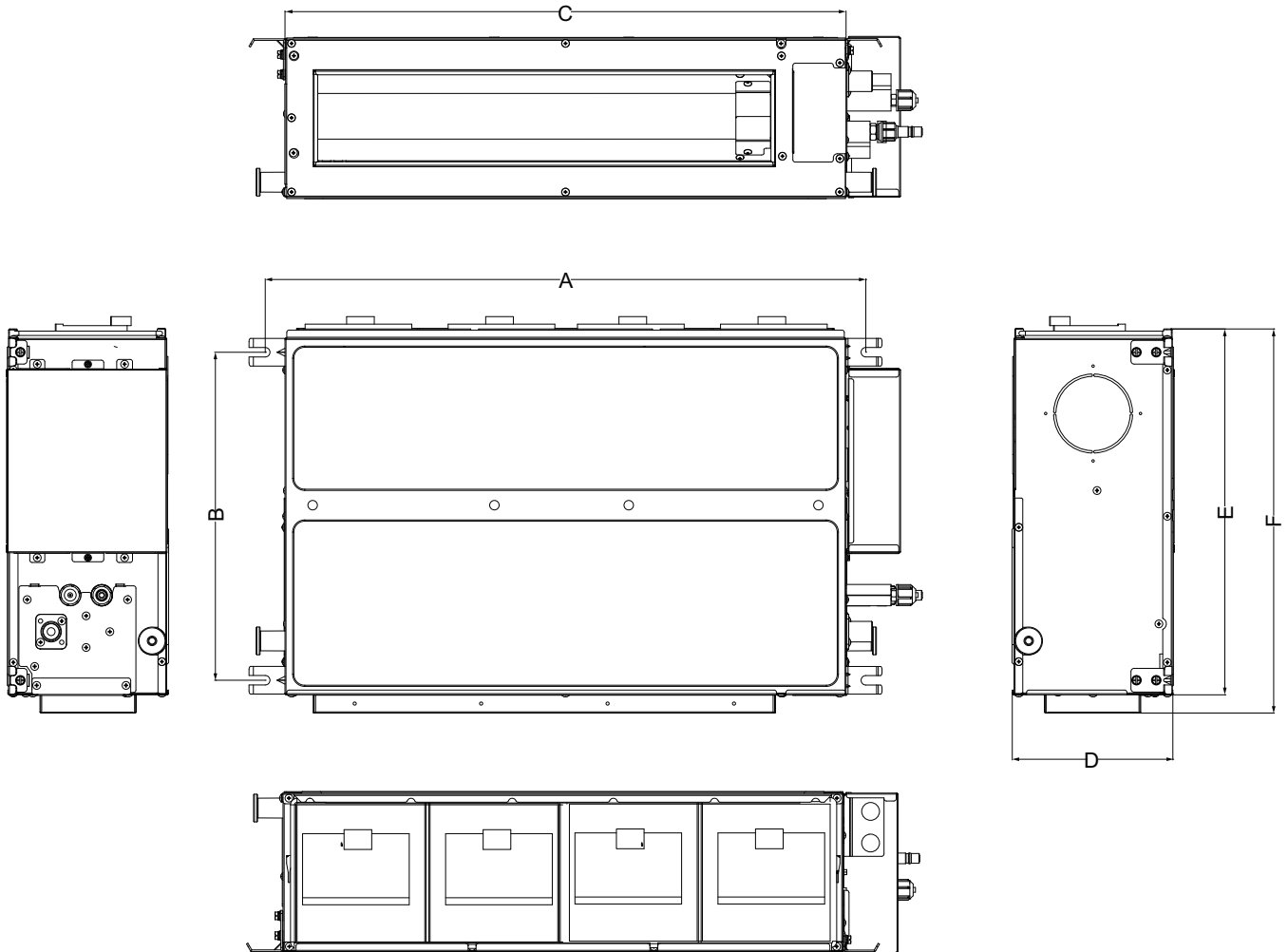
Model:GMV-ND09PLS/B-T(U)



Specifications	Unit	Parameter
Model	—	GMV-ND09PLS/B-T(U)
Performance		
Rated Cooling Capacity	kBtu/h	9.5
Rated Heating Capacity	kBtu/h	10.5
Sound Pressure Level	dB(A)	22/25/30
Electrical Data		
Power Supply	Voltage,Phase, Hertz	208/230,1,60
Maximum Overcurrent Protection (MOP)	A	15
Minimum Circuit Amps (MCA)	A	1
Fan		
Type × Quantity	—	Centrifugal x2
Air Flow Volume	CFM	118/206/265
ESP	Pa	0~30
Fan Motor Running Current	A	0.8
Fan Motor Power Output	W	30
Refrigerant Piping		
Connection Pipe	Gas(mm/inch)	Φ9.52/Φ3/8
	Liquid(mm/inch)	Φ6.35/Φ1/4
Connection method	—	Flare Connection
Refrigerant	—	R410A
Dimension/Weight		
Dimensions (H×W×D)	mm/inch	200×710×462 (7-7/8×27-15/16×18-3/16)
Net Weight	kg/lbs	18.5/41
Other		
Safety Certification	—	ETL

Job Name:		Date:	
System Reference No.:			
Engineer Signature:			

Outline and Physical Dimensions of GMV-ND09PLS/B-T(U).



Item Model	Unit	A	B	C	D	E	F
GMV-ND09PLS/B-T(U)	mm	760	415	710	200	462	486
	inch	30	16-3/8	27-15/16	7-7/8	18-3/16	19-1/8

