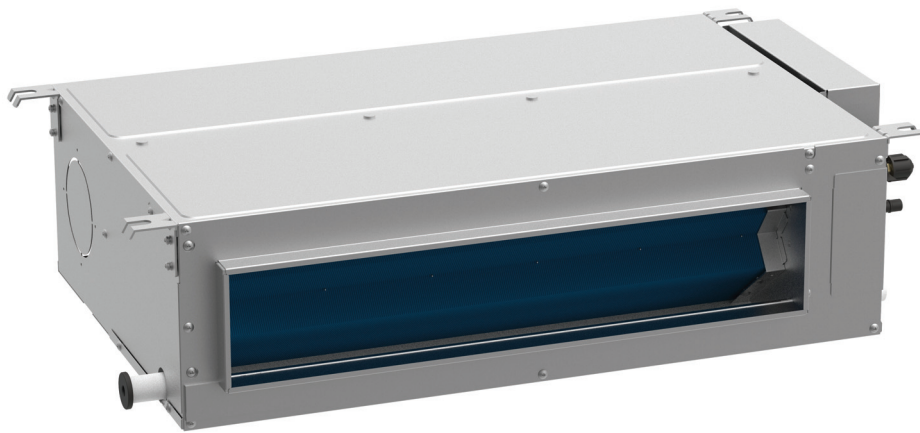


## 208~230V Low ESP Fan Coil

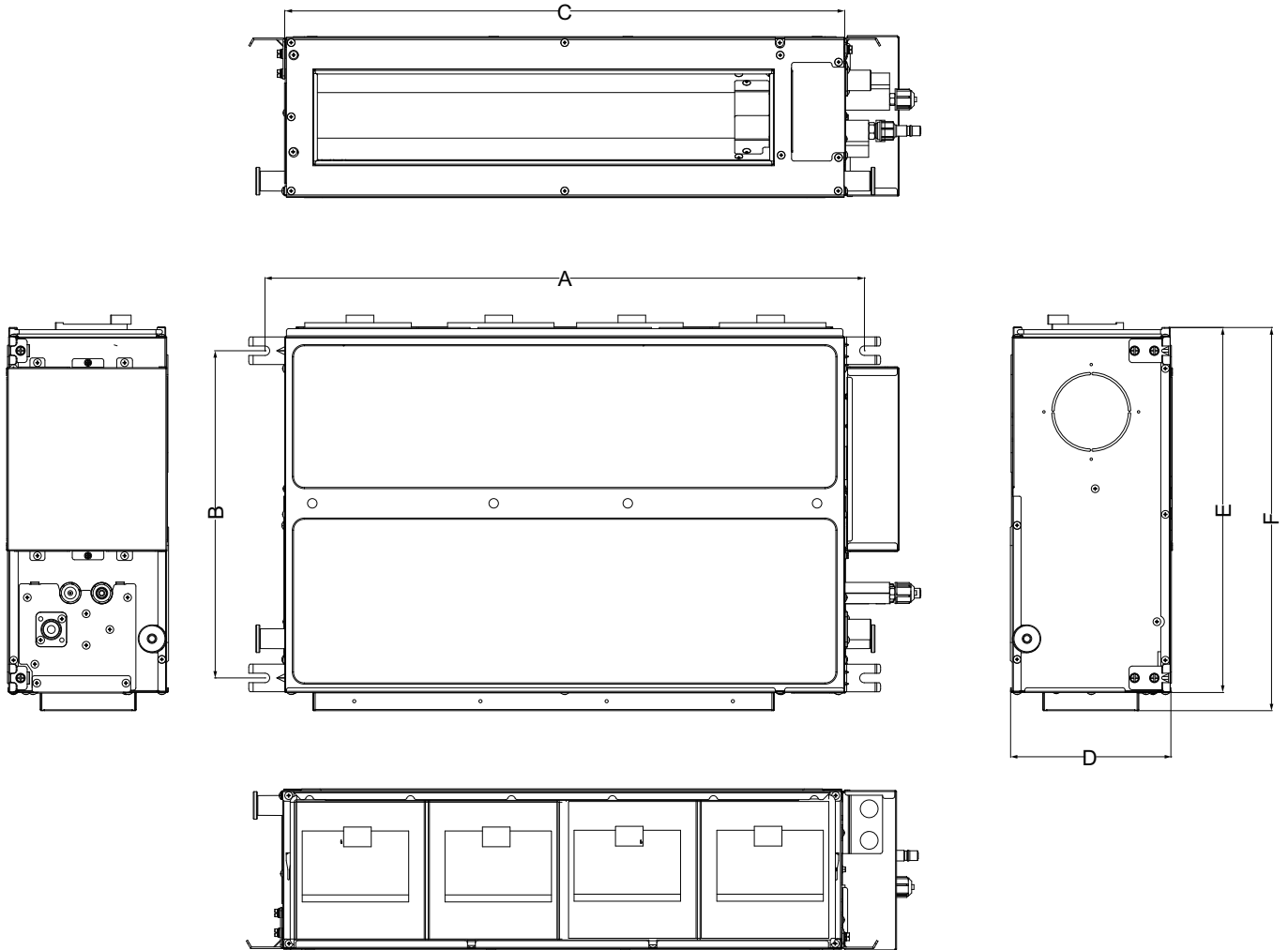
### Model:GMV-ND14PLS/B-T(U)



Specifications	Unit	Parameter
Model	—	GMV-ND14PLS/B-T(U)
<b>Performance</b>		
Rated Cooling Capacity	kBtu/h	15
Rated Heating Capacity	kBtu/h	17
Sound Pressure Level	dB(A)	27/29/33
<b>Electrical Data</b>		
Power Supply	Voltage,Phase, Hertz	208/230,1,60
Maximum Overcurrent Protection (MOP)	A	15
Minimum Circuit Amps (MCA)	A	1
<b>Fan</b>		
Type × Quantity	—	Centrifugal x3
Air Flow Volume	CFM	235/324/441
ESP	Pa	0~30
Fan Motor Running Current	A	0.8
Fan Motor Power Output	W	30
<b>Refrigerant Piping</b>		
Connection Pipe	Gas(mm/inch)	Φ12.7/Φ1/2
	Liquid(mm/inch)	Φ6.35/Φ1/4
Connection method	—	Flare Connection
Refrigerant	—	R410A
<b>Dimension/Weight</b>		
Dimensions (H×W×D)	mm/inch	200×1010×462 (7-7/8×39-3/4×18-3/16)
Net Weight	kg/lbs	25/55
<b>Other</b>		
Safety Certification	—	ETL

Job Name:		Date:	
System Reference No.:			
Engineer Signature:			

### Outline and Physical Dimensions of GMV-ND14PLS/B-T(U).



Item Model	Unit	A	B	C	D	E	F
GMV-ND14PLS/B-T(U)	mm	1060	415	1010	200	462	486
	inch	41-3/4	16-3/8	39-3/4	7-7/8	18-3/16	19-1/8

