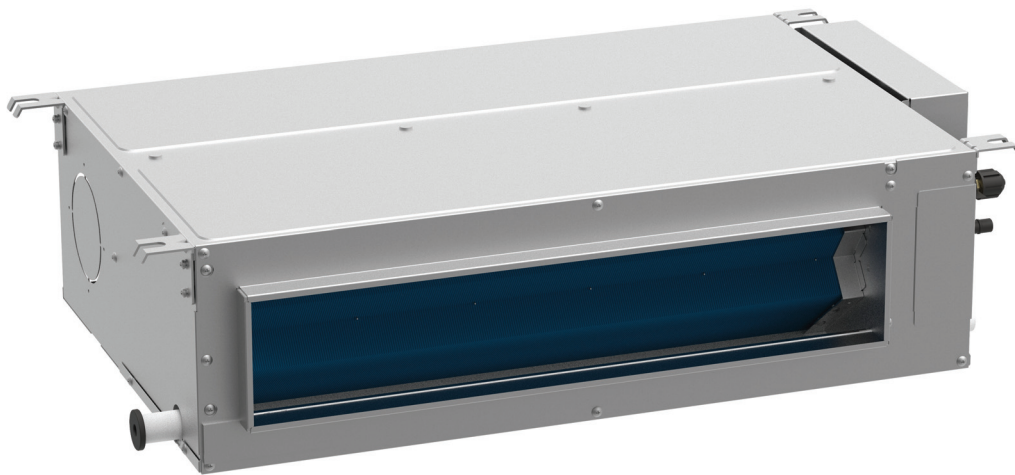


208~230V Low ESP Fan Coil

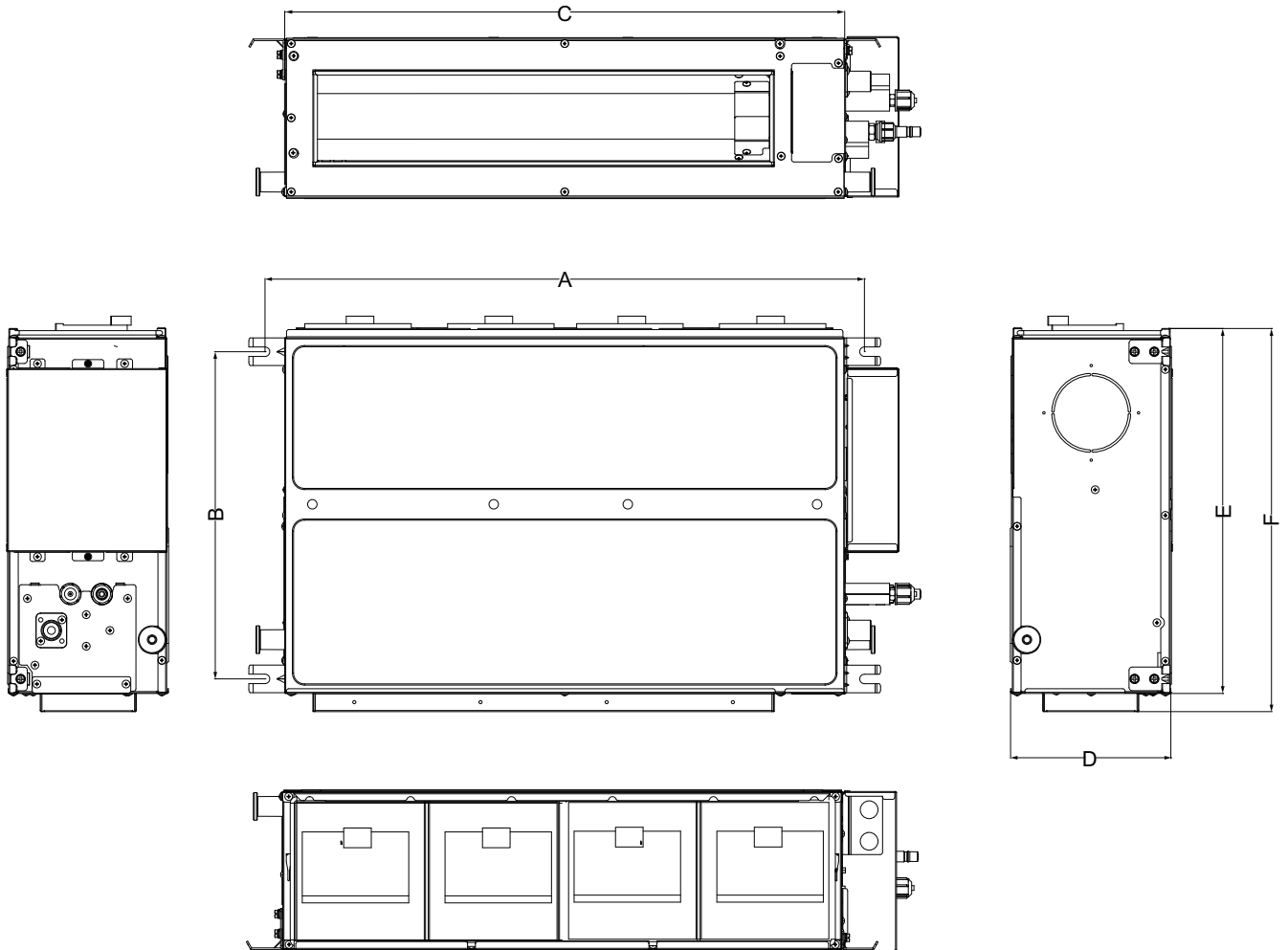
Model:GMV-ND18PLS/B-T(U)



Specifications	Unit	Parameter
Model	—	GMV-ND18PLS/B-T(U)
Performance		
Rated Cooling Capacity	kBtu/h	18
Rated Heating Capacity	kBtu/h	20
Sound Pressure Level	dB(A)	29/31/35
Electrical Data		
Power Supply	Voltage,Phase, Hertz	208/230,1,60
Maximum Overcurrent Protection (MOP)	A	15
Minimum Circuit Amps (MCA)	A	1
Fan		
Type × Quantity	—	Centrifugal x3
Air Flow Volume	CFM	324/412/500
ESP	Pa	0~30
Fan Motor Running Current	A	0.8
Fan Motor Power Output	W	60
Refrigerant Piping		
Connection Pipe	Gas(mm/inch)	Φ15.9/Φ5/8
	Liquid(mm/inch)	Φ9.52/Φ3/8
Connection method	—	Flare Connection
Refrigerant	—	R410A
Dimension/Weight		
Dimensions (H×W×D)	mm/inch	200×1010×462 (7-7/8×39-3/4×18-3/16)
Net Weight	kg/lbs	25/55
Other		
Safety Certification	—	ETL

Job Name:		Date:	
System Reference No.:			
Engineer Signature:			

Outline and Physical Dimensions of GMV-ND18PLS/B-T(U).



Item Model	Unit	A	B	C	D	E	F
GMV-ND18PLS/B-T(U)	mm	1060	415	1010	200	462	486
	inch	41-3/4	16-3/8	39-3/4	7-7/8	18-3/16	19-1/8

