

**Submittal Data: GTH(24)BA-D3DNA1A/I** **24,000 BTU/H Universal Floor/Ceiling Unit**

Job Name	Location	Date
Purchaser	Engineer	
Submitted To	For	<input type="checkbox"/> Reference <input type="checkbox"/> Approval <input type="checkbox"/> Construction
Unit Designation	Schedule No.	

**GENERAL FEATURES**

- Floor Stand or Ceiling Mount
- Quiet Operation -Multi-Speed Fan
- 1-way Discharge Air Flow
- Swing Louvers
- Wired and Wireless Remote Controllers
- 10 yr. **Unlimited** Parts Warranty
- Without condensate pump**



**System Ratings**

<b>Cooling*</b>	
Rated Capacity	22,867 BTU/H
<b>Heating*</b>	
Rated Capacity	27,304 BTU/H
<b>Sound Level (Hi/Lo)**</b>	
Cooling	48/44 dbA
Heating	48/44 dbA
<b>Air Flow (max)</b>	
Indoor Fan	736 CFM

**Physical Specifications**

Unit Dimensions (LxHxD)	48.0 x 27.5 x 9.0 -in 1220 x 700 x 225-mm
Weight (Net/Shipping)	100/120 LBS
Drain Size (OD)	0.67-in 17-mm

**Electrical Ratings**

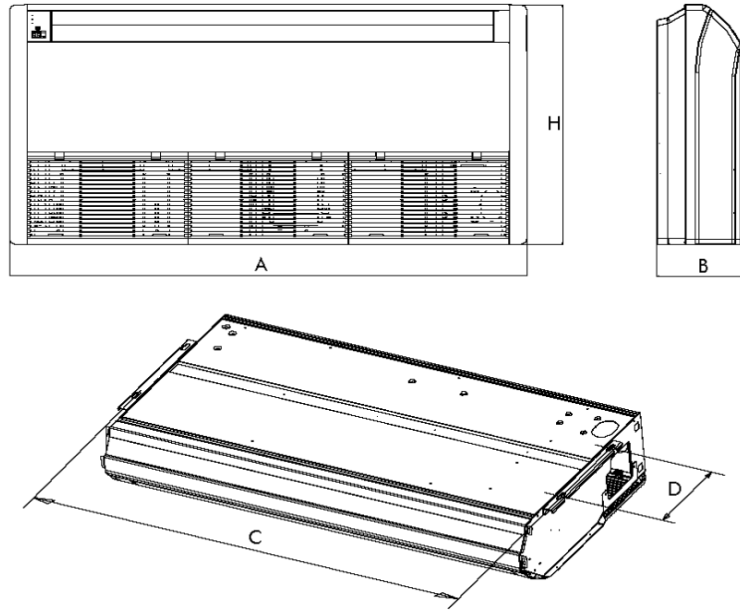
<b>Fan Motor</b>	
Output Power	145 W
FLA	0.63 A
<b>Power Supply</b>	
Normal Operational Voltage	208/230 V, 1 Phase, 60 Hz
Voltage Range	187 - 253 V
MCA	1.0 A
Interconnecting Cable Wire Size	14-4 AWG

**Refrigerant Piping Data**

Refrigerant Type	R410A
Gas Pipe Size (OD)	5/8-in
Liquid Pipe Size (OD)	3/8-in
Connection Method	Flared
* Test conditions are based on AHRI 210/240.	
**Sound Power ratings are per AHRI 270 and AHRI 350	



24,000 BTUH MODEL

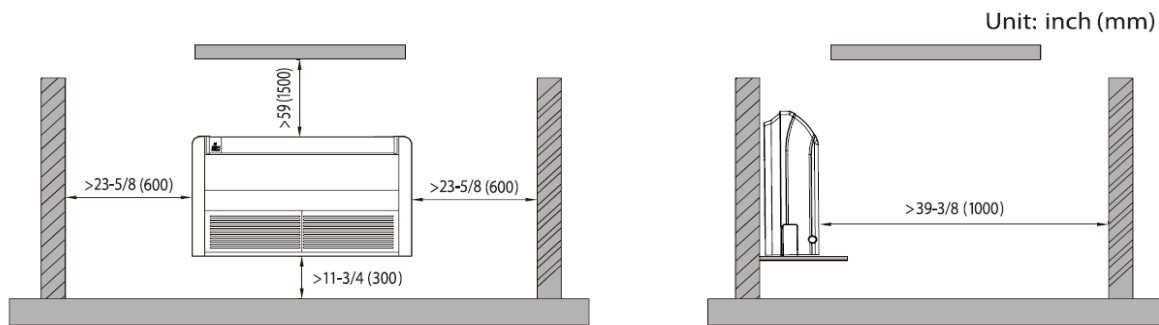


Dimensions

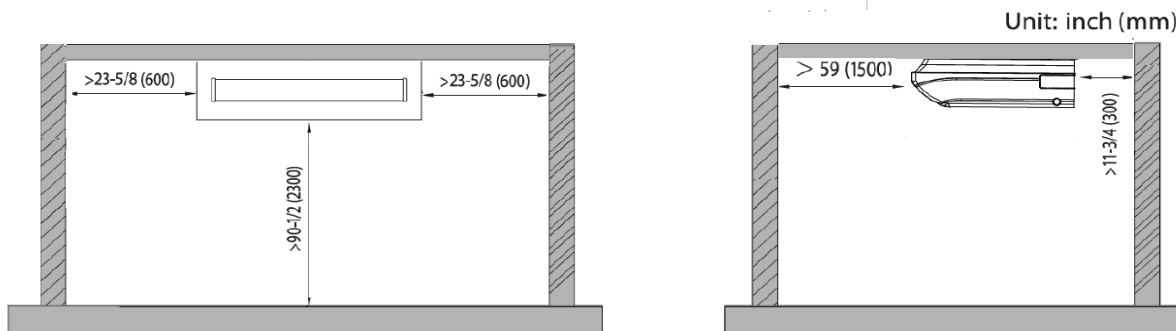
	A	B	C	D	H	H
(mm)	1220	225	1158	280	700	700
(inches)	48.0	8.9	45.6	11.0	27.6	27.6

Note: Size refrigerant lines based on evaporator port sizes.

MINIMUM CLEARANCE



◆ Ceiling type



Notes:

1. Recommended Interconnecting Cable Type Stranded Bare Copper Conductors THHN 600V Unshielded Wire
2. Power wiring cable size must comply with applicable national and local codes.
3. Test conditions are based on AHRI 210/240.

