

SUBMITTAL DATA

GWHD(42)ND3MO
42000 BTU/H Multi-Zone Heat Pump System

Job Name

Location

Date

Purchaser

Engineer

Submitted to

For

Unit Designation

Schedule No.



GWHD(42)ND3MO

GENERAL FEATURES

- AHRI Certificate: 208786088 (Non-Ducted)
- 208786096 (Ducted)
- 208786101 (Mixed)
- High Efficiency DC Inverter Technology
- Compact and Quiet Design
- Auto Restart on Power Outages
- Multi-point Diagnostics
- 10 Years Parts Warranty
- Low Ambient Cooling down to -20°F (Range -22°F to 118°F)
- Low Ambient Heating down to -22°F (Range -22°F to 75°F)
- Coil (Indoor and Outdoor) Copper Tube / Aluminum Fin
- Blue Colored Fin - 500 Hrs Salt Spray Tested

SPECIFICATIONS, FEATURES & FUNCTION SUMMARY

SPECIFICATIONS		GWHD(42)ND3MO	
System Type	HEAT PUMP		
Number of Zones	2 - 5		
SYSTEM PERFORMANCE		NON-DUCTED INDOOR UNITS	
Cooling	Min - Max	Btu/h	8871 - 40944
	Capacity @95°F	Btu/h	36000
Heating	Min - Max	Btu/h	8871 - 46062
	Capacity @5°F	Btu/h	32400
	Capacity @17°F	Btu/h	35600
	Capacity @47°F	W	40000
SEER2	21		
EER2	12		
HSPF2	10		
COP @5°F	1.9		
COP @47°F	3.9		
SYSTEM PERFORMANCE		DUCTED INDOOR UNITS	
Cooling	Min - Max	Btu/h	8871 - 40944
	Capacity @95°F	Btu/h	36000
Heating	Min - Max	Btu/h	8871 - 46062
	Capacity @5°F	Btu/h	32400
	Capacity @17°F	Btu/h	32400
	Capacity @47°F	W	40000
SEER2	16		
EER2	11		
HSPF2	8		
COP @5°F			
COP @47°F	3.5		
SYSTEM PERFORMANCE		MIXED DUCTED AND NON-DUCTED INDOOR UNITS	
Cooling	Min - Max	Btu/h	8871 - 40944
	Capacity @95°F	Btu/h	36000
Heating	Min - Max	Btu/h	40000 (8871 - 46062)
	Capacity @5°F	Btu/h	
	Capacity @17°F	Btu/h	
	Capacity @47°F	W	40000
SEER2	18.5		
EER2	11.5		
HSPF2	9		
COP @5°F			
COP @47°F	3.7		
OUTDOOR UNIT		GWHD(42)ND3MO	
Cooling Temperature Range	°F	-22 - 118	
Heating Temperature Range	°F	-22 - 75	
Refrigerant Type	R410A		
Compressor Type	GREE G-10 / 2 - STAGE INVERTER		
Sound Pressure Level	dB(A)	63	
External Dimensions (W x H x D)	in	40-3/16 x 32-9/16 x 16-13/16	
Package Dimension (W x H x D)	in	43 x 34-7/8 x 19-5/8	
Net Weight	lbs	174.2	
Gross Weight	lbs	189.6	

REFRIGERANT PIPING		
Refrigerant Charge - R410A	oz	134
Additional Charge	oz/ft	0.2
Port Size (Liquid - Gas)	port A (in)	1/4 - 3/8
	port B (in)	1/4 - 3/8
	port C (in)	1/4 - 3/8
	port D (in)	1/4 - 3/8
	port E (in)	1/4 - 3/8
Pre-Charge Length	ft	164
Pipe Length (Min - Max)	ft	10 - 328
Pipe Length to furthest Indoor Unit	ft	82
Max. Pipe Elevation	ft	82
ELECTRICAL		
Power Supply	208-230V / 1Ph / 60Hz	
Voltage Range (Min - Max)	VAC	187 - 253
Rated Current - Cooling	A	22
Rated Current - Heating	A	22
MCA	A	23
MOCP	A	35
Suggested Breaker Size	A	25
Main Power Wire Size	AWG	Per Local Code
Interconnecting Wire Size	AWG	14 / 4

FEATURES & FUNCTIONS SUMMARY	GWHD(42)ND3MO
SYSTEM FEATURES	
Inverter Type	G10
Ultra Low Frequency Torque Control	Yes
Power Factor Correction	Yes
Compressor Type - Inverter	High Efficiency Rotary
Basepan With Electric Heater	Yes
Indoor & Outdoor Fin Coating (Blue Fin)	Yes
Intelligent Defrosting	Yes
Intelligent Preheating	Yes
Low Voltage Startup	Yes
Memory/Power Failure Recovery	Yes
Self Diagnosis	Yes

ALLOWABLE COMBINATIONS CAPACITIES

MODEL NUMBER	POSSIBLE COMBINATIONS*	COOLING CAPACITY (Btu/h)					HEATING CAPACITY (Btu/h)				
		ZONE1	ZONE2	ZONE3	ZONE4	ZONE5	ZONE1	ZONE2	ZONE3	ZONE4	ZONE5
GWHD(42)ND3MO	7K+7K+7K	7,000	7,000	7,000			8,000	8,000	8,000		
GWHD(42)ND3MO	7K+7K+7K+7K	7,000	7,000	7,000	7,000		8,000	8,000	8,000	8,000	
GWHD(42)ND3MO	5K+5K+5K+7K	5,000	5,000	5,000	7,000		6,000	6,000	6,000	8,000	
GWHD(42)ND3MO	5K+5K+7K+7K	5,000	5,000	7,000	7,000		6,000	6,000	8,000	8,000	
GWHD(42)ND3MO	5K+7K+7K+7K	5,000	7,000	7,000	7,000		6,000	8,000	8,000	8,000	
GWHD(42)ND3MO	5K+5K+5K+5K+5K	5,000	5,000	5,000	5,000	5,000	6,000	6,000	6,000	6,000	6,000
GWHD(42)ND3MO	7K+7K+7K+7K+7K	7,000	7,000	7,000	7,000	7,000	8,000	8,000	8,000	8,000	8,000
GWHD(42)ND3MO	5K+5K+5K+5K+7K	5,000	5,000	5,000	5,000	7,000	6,000	6,000	6,000	6,000	8,000
GWHD(42)ND3MO	5K+5K+5K+7K+7K	5,000	5,000	5,000	7,000	7,000	6,000	6,000	6,000	8,000	8,000
GWHD(42)ND3MO	5K+5K+7K+7K+7K	5,000	5,000	7,000	7,000	7,000	6,000	6,000	8,000	8,000	8,000
GWHD(42)ND3MO	5K+7K+7K+7K+7K	5,000	7,000	7,000	7,000	7,000	6,000	8,000	8,000	8,000	8,000
GWHD(42)ND3MO	9K+12K	9,000	12,000				9,000	12,000			
GWHD(42)ND3MO	9K+18K	9,000	18,000				9,000	18,000			
GWHD(42)ND3MO	9K+24K	9,000	24,000				9,000	24,000			
GWHD(42)ND3MO	12K+12K	12,000	12,000				12,000	12,000			
GWHD(42)ND3MO	12K+18K	12,000	18,000				12,000	18,000			
GWHD(42)ND3MO	12K+24K	12,000	24,000				12,000	24,000			
GWHD(42)ND3MO	18K+18K	18,000	18,000				18,000	18,000			
GWHD(42)ND3MO	18K+24K	15,429	20,571				17,143	22,857			
GWHD(42)ND3MO	24K+24K	18,000	18,000				20,000	20,000			
GWHD(42)ND3MO	9K+9K+9K	9,000	9,000	9,000			9,000	9,000	9,000		
GWHD(42)ND3MO	9K+9K+12K	9,000	9,000	12,000			9,000	9,000	12,000		
GWHD(42)ND3MO	9K+9K+18K	9,000	9,000	18,000			9,000	9,000	18,000		
GWHD(42)ND3MO	9K+9K+24K	7,714	7,714	20,571			8,571	8,571	22,857		
GWHD(42)ND3MO	9K+12K+12K	9,000	12,000	12,000			9,000	12,000	12,000		
GWHD(42)ND3MO	9K+12K+18K	8,308	11,077	16,615			9,000	12,000	18,000		
GWHD(42)ND3MO	9K+12K+24K	7,200	9,600	19,200			8,000	10,667	21,333		
GWHD(42)ND3MO	9K+18K+18K	7,200	14,400	14,400			8,000	16,000	16,000		
GWHD(42)ND3MO	9K+18K+24K	6,353	12,706	16,941			7,059	14,118	18,824		
GWHD(42)ND3MO	9K+24K+24K	5,684	15,158	15,158			6,316	16,842	16,842		
GWHD(42)ND3MO	12K+12K+12K	12,000	12,000	12,000			12,000	12,000	12,000		
GWHD(42)ND3MO	12K+12K+18K	10,286	10,286	15,429			11,429	11,429	17,143		
GWHD(42)ND3MO	12K+12K+24K	9,000	9,000	18,000			10,000	10,000	20,000		
GWHD(42)ND3MO	12K+18K+18K	9,000	13,500	13,500			10,000	15,000	15,000		
GWHD(42)ND3MO	12K+18K+24K	8,000	12,000	16,000			8,889	13,333	17,778		
GWHD(42)ND3MO	12K+24K+24K	7,200	14,400	14,400			8,000	16,000	16,000		
GWHD(42)ND3MO	18K+18K+18K	12,000	12,000	12,000			13,333	13,333	13,333		
GWHD(42)ND3MO	18K+18K+24K	10,800	10,800	14,400			12,000	12,000	16,000		
GWHD(42)ND3MO	9K+9K+9K+9K	9,000	9,000	9,000	9,000		9,000	9,000	9,000	9,000	
GWHD(42)ND3MO	9K+9K+9K+12K	8,308	8,308	8,308	11,077		9,000	9,000	9,000	12,000	
GWHD(42)ND3MO	9K+9K+9K+18K	7,200	7,200	7,200	14,400		8,000	8,000	8,000	16,000	
GWHD(42)ND3MO	9K+9K+9K+24K	6,353	6,353	6,353	16,941		7,059	7,059	7,059	18,824	
GWHD(42)ND3MO	9K+9K+12K+12K	7,714	7,714	10,286	10,286		8,571	8,571	11,429	11,429	
GWHD(42)ND3MO	9K+9K+12K+18K	6,750	6,750	9,000	13,500		7,500	7,500	10,000	15,000	
GWHD(42)ND3MO	9K+9K+12K+24K	6,000	6,000	8,000	16,000		6,667	6,667	8,889	17,778	
GWHD(42)ND3MO	9K+9K+18K+18K	6,000	6,000	12,000	12,000		6,667	6,667	13,333	13,333	

ALLOWABLE COMBINATIONS CAPACITIES

MODEL NUMBER	POSSIBLE COMBINATIONS*	COOLING CAPACITY (Btu/h)					HEATING CAPACITY (Btu/h)				
		ZONE1	ZONE2	ZONE3	ZONE4	ZONE5	ZONE1	ZONE2	ZONE3	ZONE4	ZONE5
GWHD(42)ND3MO	9K+9K+18K+24K	5,400	5,400	10,800	14,400		6,000	6,000	12,000	16,000	
GWHD(42)ND3MO	9K+12K+12K+12K	7,200	9,600	9,600	9,600		8,000	10,667	10,667	10,667	
GWHD(42)ND3MO	9K+12K+12K+18K	6,353	8,471	8,471	12,706		7,059	9,412	9,412	14,118	
GWHD(42)ND3MO	9K+12K+12K+24K	5,684	7,579	7,579	15,158		6,316	8,421	8,421	16,842	
GWHD(42)ND3MO	9K+12K+18K+18K	5,684	7,579	11,368	11,368		6,316	8,421	12,632	12,632	
GWHD(42)ND3MO	9K+12K+18K+24K	5,143	6,857	10,286	13,714		5,714	7,619	11,429	15,238	
GWHD(42)ND3MO	9K+18K+18K+18K	5,143	10,286	10,286	10,286		5,714	11,429	11,429	11,429	
GWHD(42)ND3MO	12K+12K+12K+12K	9,000	9,000	9,000	9,000		10,000	10,000	10,000	10,000	
GWHD(42)ND3MO	12K+12K+12K+18K	8,000	8,000	8,000	12,000		8,889	8,889	8,889	13,333	
GWHD(42)ND3MO	12K+12K+12K+24K	7,200	7,200	7,200	14,400		8,000	8,000	8,000	16,000	
GWHD(42)ND3MO	12K+12K+18K+18K	7,200	7,200	10,800	10,800		8,000	8,000	12,000	12,000	
GWHD(42)ND3MO	9K+9K+9K+9K+9K	7,200	7,200	7,200	7,200	7,200	8,000	8,000	8,000	8,000	8,000
GWHD(42)ND3MO	9K+9K+9K+9K+12K	6,750	6,750	6,750	6,750	9,000	7,500	7,500	7,500	7,500	10,000
GWHD(42)ND3MO	9K+9K+9K+9K+18K	6,000	6,000	6,000	6,000	12,000	6,667	6,667	6,667	6,667	13,333
GWHD(42)ND3MO	9K+9K+9K+9K+24K	5,400	5,400	5,400	5,400	14,400	6,000	6,000	6,000	6,000	16,000
GWHD(42)ND3MO	9K+9K+9K+12K+12K	6,353	6,353	6,353	8,471	8,471	7,059	7,059	7,059	9,412	9,412
GWHD(42)ND3MO	9K+9K+9K+12K+18K	5,684	5,684	5,684	7,579	11,368	6,316	6,316	6,316	8,421	12,632
GWHD(42)ND3MO	9K+9K+9K+12K+24K	5,143	5,143	5,143	6,857	13,714	5,714	5,714	5,714	7,619	15,238
GWHD(42)ND3MO	9K+9K+9K+18K+18K	5,143	5,143	5,143	10,286	10,286	5,714	5,714	5,714	11,429	11,429
GWHD(42)ND3MO	9K+9K+12K+12K+12K	6,000	6,000	8,000	8,000	8,000	6,667	6,667	8,889	8,889	8,889
GWHD(42)ND3MO	9K+9K+12K+12K+18K	5,400	5,400	7,200	7,200	10,800	6,000	6,000	8,000	8,000	12,000
GWHD(42)ND3MO	9K+12K+12K+12K+12K	5,684	7,579	7,579	7,579	7,579	6,316	8,421	8,421	8,421	8,421
GWHD(42)ND3MO	9K+12K+12K+12K+18K	5,143	6,857	6,857	6,857	10,286	5,714	7,619	7,619	7,619	11,429
GWHD(42)ND3MO	12K+12K+12K+12K+12K	7,200	7,200	7,200	7,200	7,200	8,000	8,000	8,000	8,000	8,000

Outdoor Unit & Possible Indoor Unit Combinations with AHRI Certified Performance

*You may substitute the 9K unit with a 5K or 7K High Wall unit, find complete capacity information in the extended ratings chart.

DIMENSIONS

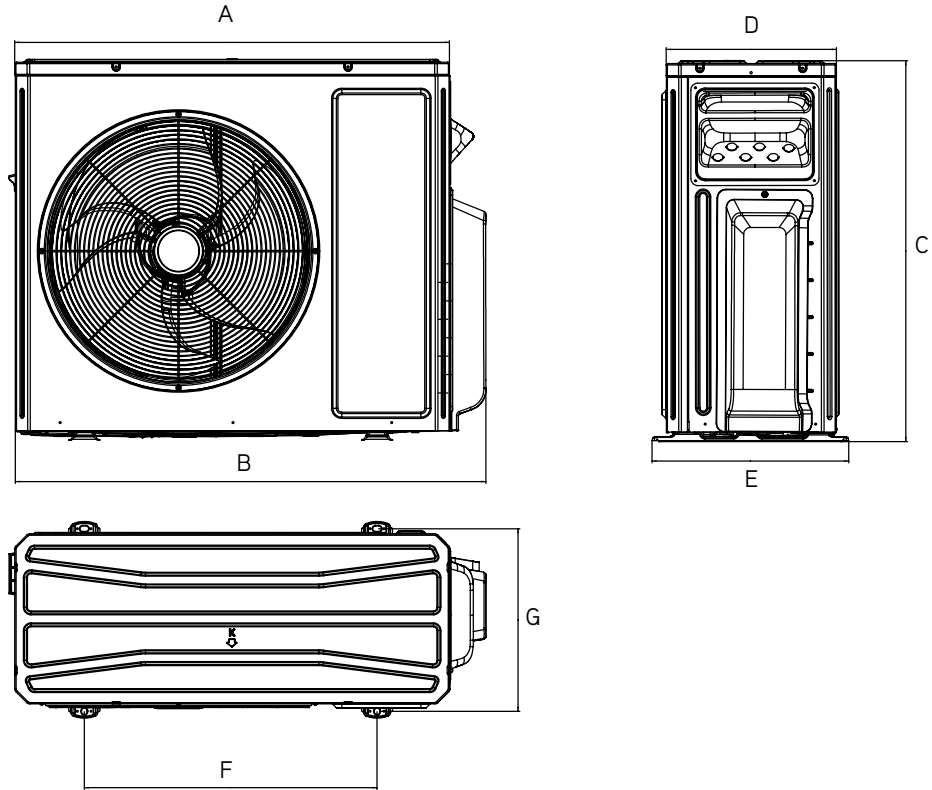
OUTDOOR UNIT

Unit: inch

GWHD(42)ND3MO

DIMENSIONS

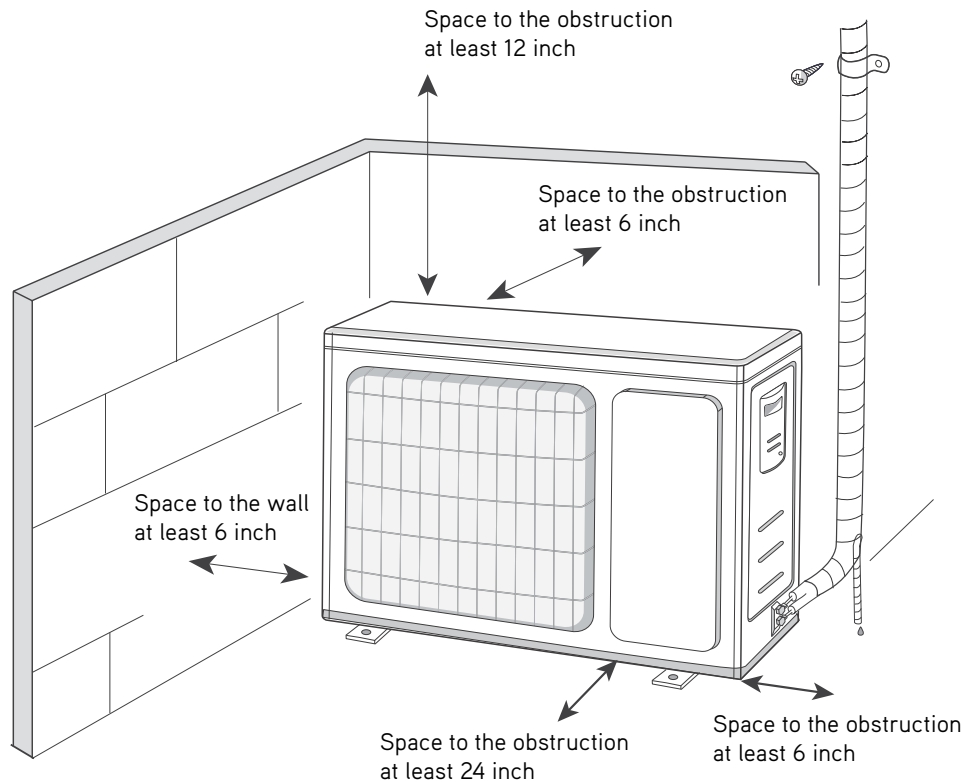
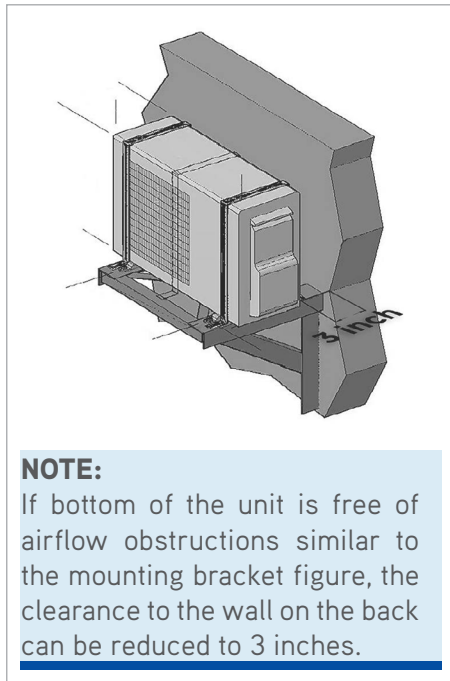
A	37-1/8
B	40-3/16
C	32-9/16
D	14-17/32
E	16-13/16
F	25
G	15-19/32



CLEARANCES

OUTDOOR UNIT

Minimum clearance



Specifications are subject to change without notice. Manufacturer reserves the right to discontinue or modify specifications or designs without notice or without incurring obligations. All Rights reserved.