

### 208~230V Modular Heat Pump

**Model:  
GMV-96WM/B-F(U)**



Specifications	Unit	Parameter
Model	—	GMV-96WM/B-F(U)
<b>Performance</b>		
Rated Cooling Capacity(*1)	kBtu/h	96
Rated Heating Capacity(*2)	kBtu/h	108
Power Input	Cooling(kw)	7.3
	Heating(kw)	7.85
Sound Pressure Level	dB(A)	61
Operating Temperature Range	Cooling(Outdoor) <sup>°C/°F</sup>	-5~52/23~125.6
	Heating(Outdoor) <sup>°C/°F</sup>	-20~24/-4~75
<b>AHRI Ratings(Ducted/Non-Ducted)</b>		
EER	W/W	11.2/12.6
IEER	—	20/26
COP	W/W	2.38~3.4/2.5~3.9
<b>Electrical Data</b>		
Power Supply	V/Ph/Hz	208/230/3/60
Maximum Overcurrent Protection (MOP)	A	45
Minimum Circuit Amps (MCA)	A	37
<b>Fan</b>		
Type x Quantity	—	Axial-flow×2
Air Flow Volume	CFM	8240
Fan Motor Power Output	W	750
Max.External Static Pressure (ESP)	Pa/In.W.G	82/0.33
<b>Compressor</b>		
Compressor Type x Quantity	—	Inverter Scroll×1
Compressor Rated Load Amps (RLA)	A	20
Compressor Refrigerant Oil Type	—	FVC68D or FV-68H
Compressor Refrigerant Oil Charge Volume	L/Gal	5.1/1.35
<b>Refrigerant Piping</b>		
Connection Pipe	Gas(mm/inch)	Φ22.2/Φ7/8
	Liquid(mm/inch)	Φ9.52/Φ3/8
Max. Equivalent Connection Pipe Length(ODU to IDU)	m/ft	165/541
Refrigerant Charge	kg/oz	11.3/398.7
Refrigerant	—	R410A
<b>Dimension/Weight</b>		
Dimensions (H×W×D)	mm/inch	1605×1340×765 (63-3/16×52-3/4×30-1/8)
Net Weight	kg/lbs	300/662
<b>Other</b>		
Indoor Unit	Total Capacity(%)	50%~135% of outdoor unit
	Max Connectable Quantity	16
Certification	—	ETL/AHRI
Condenser Fin Color	—	Gold
Protection Devices	High Pressure	High pressure sensor, High pressure switch 601 psi (4.15 MPa)
	Inverter Circuit	Over-heat protection, Over-current protection
	Compressor	Discharge temp protection, Over-current protection

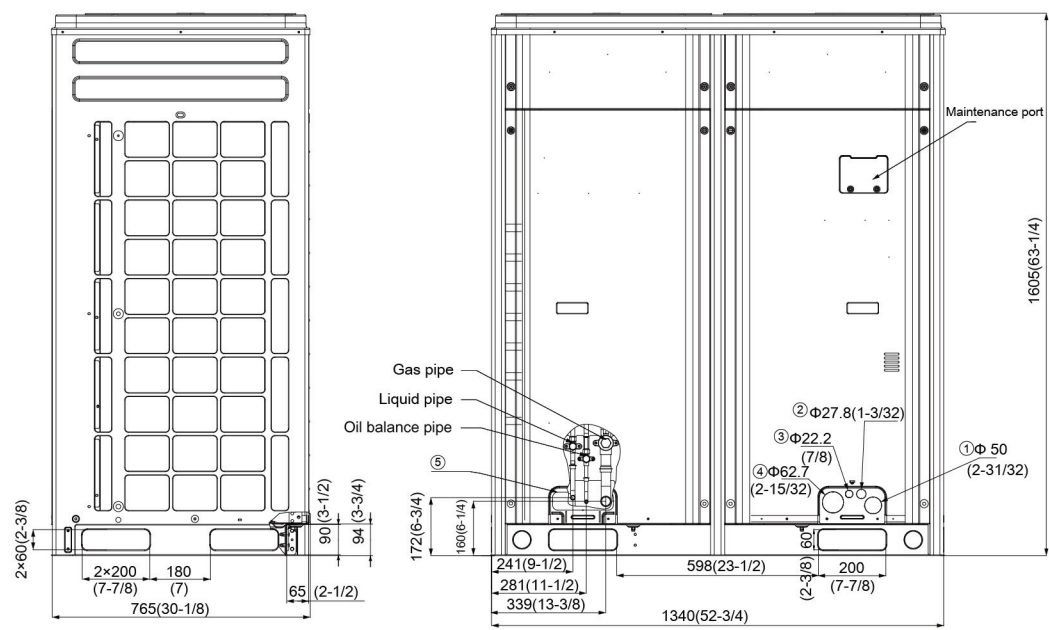
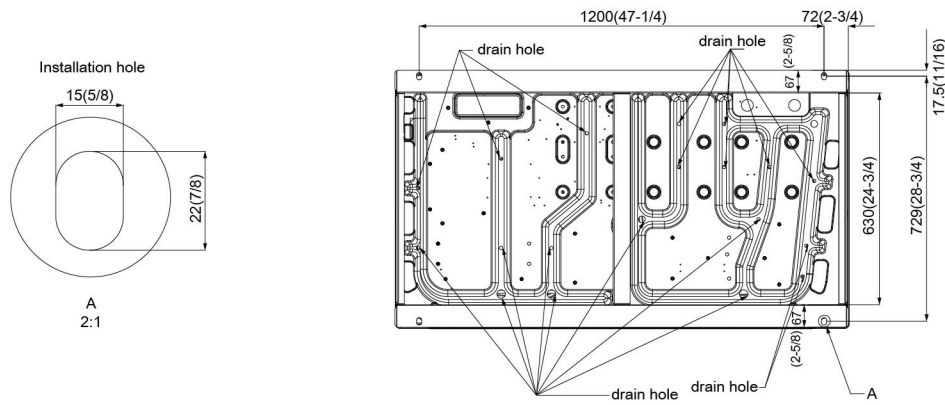
\*1 Cooling | Indoor: 80°F(26.7°C)DB / 67°F(19°C)WB; Outdoor: 95°F(35°C)DB

\*2 Heating | Indoor: 70°F(21.1°C)DB / Outdoor: 47°F(8.3°C)DB / 43°F(6°C)WB

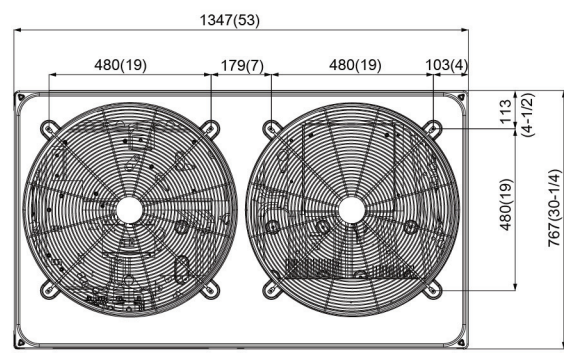


Job Name:		Date:	
System Reference No.:			
Engineer Signature:			

### Outline and Physical Dimensions of GMV-96WM/B-F(U).



No.	Usage	Size mm(in.)
①	Wire	Φ50(2-31/32)
②		Φ27.8(1-3/32)
③		Φ22.2(7/8)
④		Φ62.7(2-15/32)
⑤	Pipe	180×53(7×2)



Unit:mm(in.)