

TABLE OF CONTENTS

Part Number	Description
PTAC REAR GRILLES	
GRILLE-ALU-CLEAR	Grille, Aluminum Architectural, 42 x 16 -Clear
GRILLE-ALU-ALPIN	Grille, Aluminum Architectural, 42 x 16 -Alpine Beige
GRILLE-ALU-BEIGE	Grille, Aluminum Architectural, 42 x 16 -Beige
GRILLE-ALU-BRONZ	Grille, Aluminum Architectural, 42 x 16 -Light Bronze
GRILLE-ALU-MBRNZ	Grille, Aluminum Architectural, 42 x 16 -Medium Bronze
GRILLE-ALU-DBRNZ	Grille, Aluminum Architectural, 42 x 16 -Dark Bronze
GRILLE-ALU-SDOVE	Grille, Aluminum Architectural, 42 x 16 -Soft Dove
GRILLE-ALU-WHITE	Grille, Aluminum Architectural, 42 x 16 -Antique White
GRILLE-ALU-UWHITE	Grille, Aluminum Architectural, 42 x 16 -Ultra White

Submittal Data: GRILLE-ALU-CLEAR

Architectural Aluminum Grille

Job Name	Location	Date
Purchaser	Engineer	
Submitted To	For	<input type="checkbox"/> Reference <input type="checkbox"/> Approval <input type="checkbox"/> Construction
Schedule No.		

GENERAL FEATURES

- Decorative architectural style aluminum grille.
- Clear anodized aluminum color.
- 42 in. x 16 in. design.
- Designed to be mounted easily from inside the room.
- Right & left drain hole knockouts provided.
- Condenser air baffle/gaskets with vertical air deflectors.



Specifications

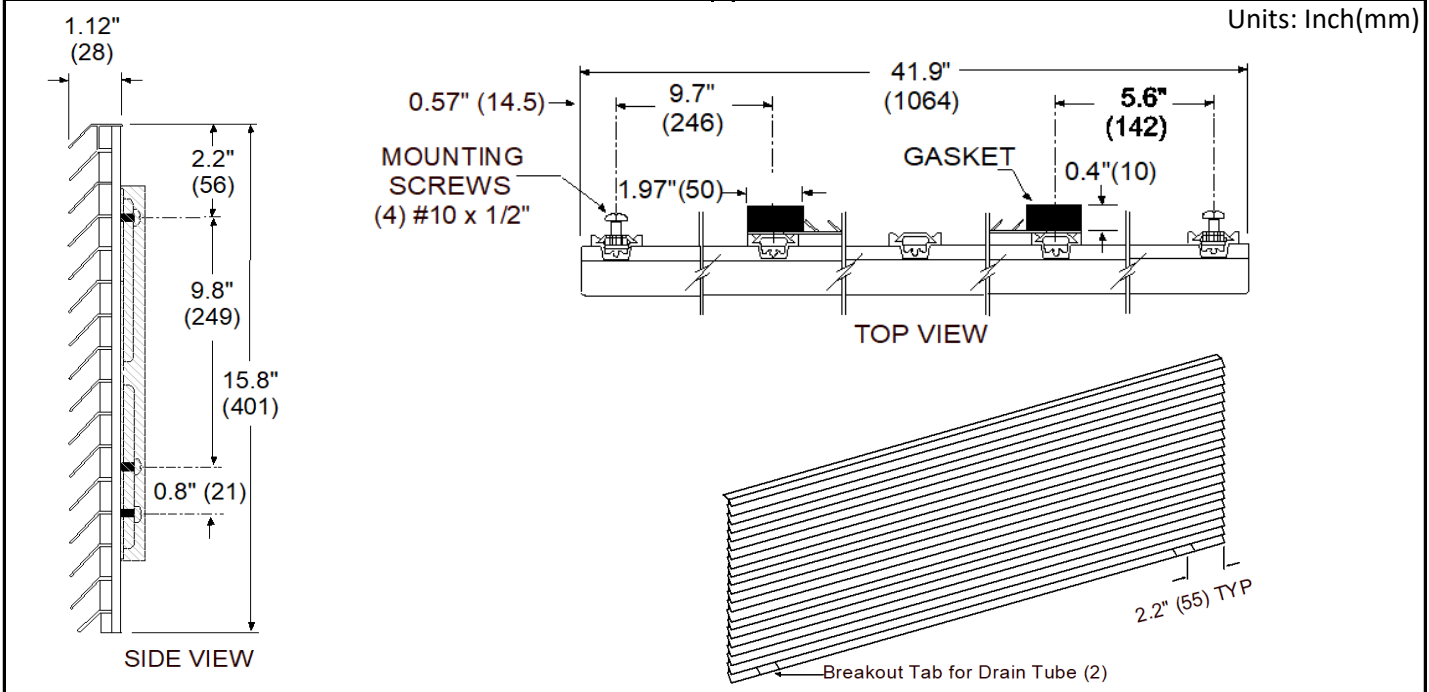
Material: Extruded aluminum, Alloy 6063-T5
 Finish: Clear Anodized
 Louver Thickness: 0.04 inch (1.016 mm), nominal
 Louver Pitch: 50°
 Condenser Free Area: 65.3 %

Unit Dimensions

Length	41.9-in
Height	15.8-in
Depth	1.12-in
Weight	7.5-lbs

Shipping Dimensions

Length	43.5-in
Height	2-in
Depth	16-in
Weight	8-lbs
Pallet Qty	44 pcs



Specifications are subject to change without notice. Manufacturer reserves the right to discontinue or modify specifications or designs without notice or without incurring obligations. All rights reserved.

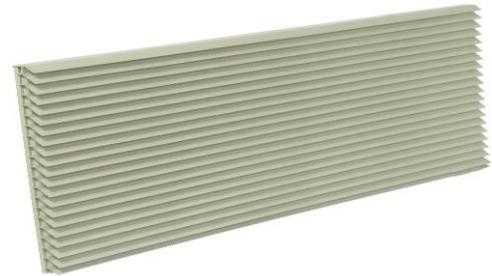
Submittal Data: GRILLE-ALU-ALPIN

Architectural Aluminum Grille

Job Name	Location	Date
Purchaser	Engineer	
Submitted To	For	<input type="checkbox"/> Reference <input type="checkbox"/> Approval <input type="checkbox"/> Construction
Schedule No.		

GENERAL FEATURES

- Decorative architectural style aluminum grille.
- Powder coat painted for superior adhesion & protection.
- 42 in. x 16 in. design.
- Designed to be mounted easily from inside the room.
- Right & left drain hole knockouts provided.
- Condenser air baffle/gaskets with vertical air deflectors.



Specifications

Material: Extruded aluminum, Alloy 6063-T5
 Finish: Alpine Beige
 Louver Thickness: 0.04 inch (1.016 mm), nominal
 Louver Pitch: 50°
 Condenser Free Area: 65.3 %

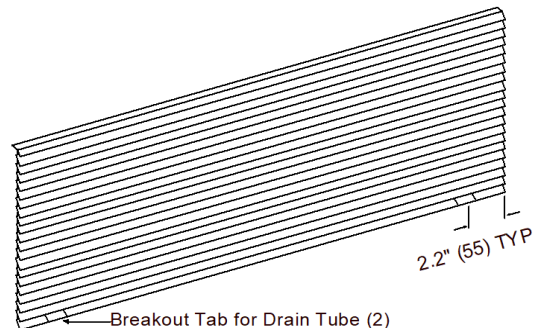
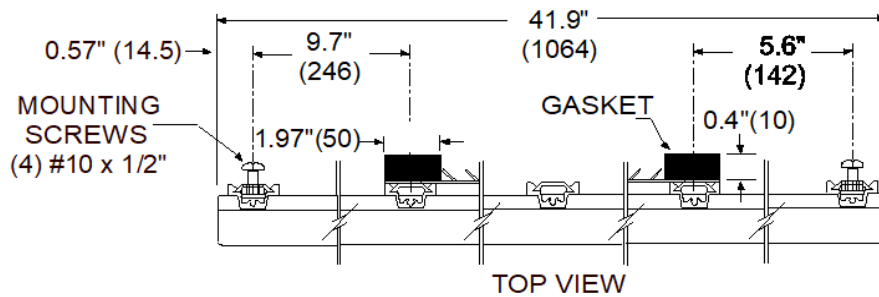
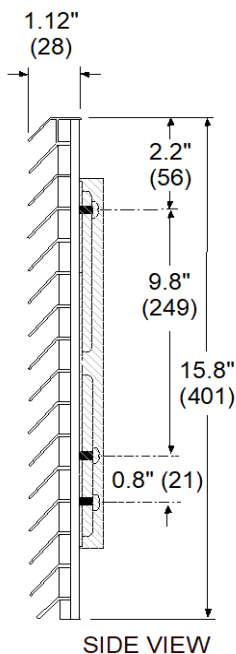
Unit Dimensions

Length	41.9-in
Height	15.8-in
Depth	1.12-in
Weight	7.5-lbs

Shipping Dimensions

Length	43.5-in
Height	2-in
Depth	16-in
Weight	8-lbs
Pallet Qty	44 pcs

Units: Inch(mm)



Specifications are subject to change without notice. Manufacturer reserves the right to discontinue or modify specifications or designs without notice or without incurring obligations. All rights reserved.

Submittal Data: GRILLE-ALU-BEIGE

Architectural Aluminum Grille

Job Name	Location	Date
Purchaser	Engineer	
Submitted To	For	<input type="checkbox"/> Reference <input type="checkbox"/> Approval <input type="checkbox"/> Construction
Schedule No.		

GENERAL FEATURES

- Decorative architectural style aluminum grille.
- Powder coat painted for superior adhesion & protection.
- 42 in. x 16 in. design.
- Designed to be mounted easily from inside the room.
- Right & left drain hole knockouts provided.
- Condenser air baffle/gaskets with vertical air deflectors.



Specifications

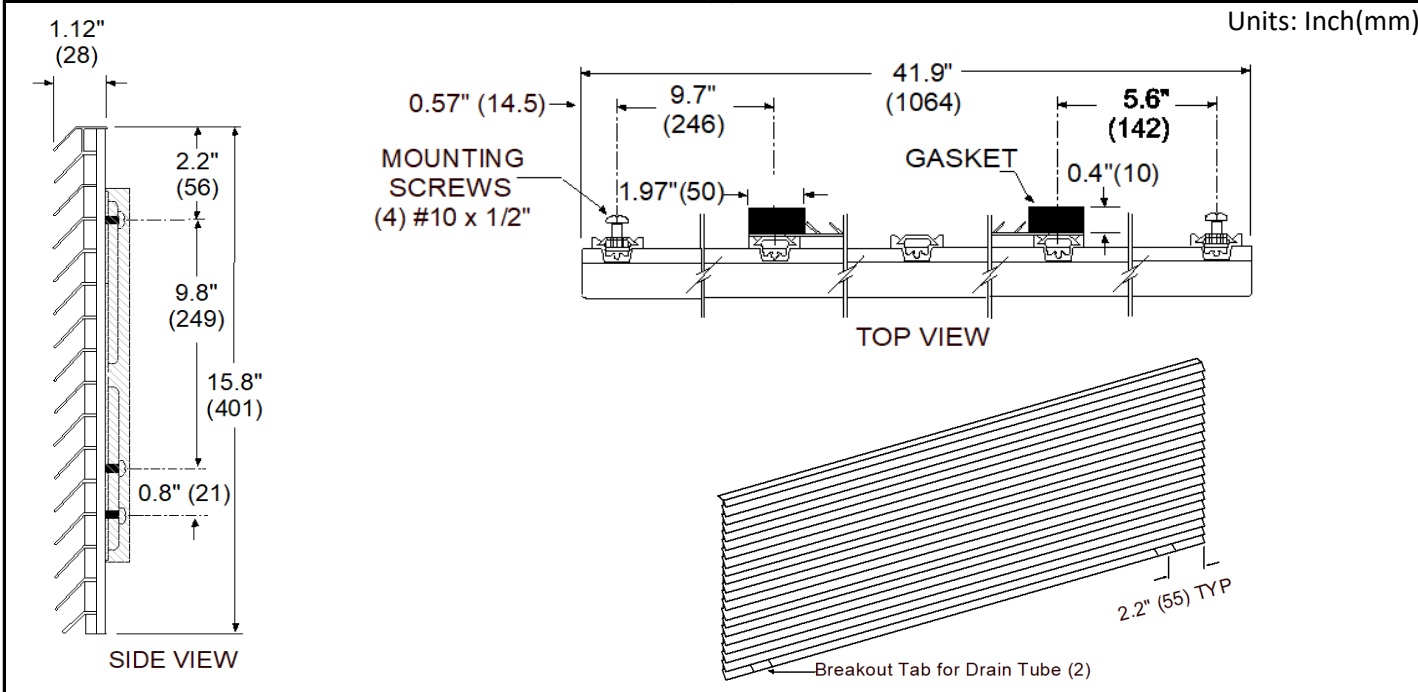
Material: Extruded aluminum, Alloy 6063-T5
 Finish: Beige
 Louver Thickness: 0.04 inch (1.016 mm), nominal
 Condenser Fin Pitch: 50°
 Louver Pitch: 50°

Unit Dimensions

Length	41.9-in
Height	15.8-in
Depth	1.12-in
Weight	7.5-lbs

Shipping Dimensions

Length	43.5-in
Height	2-in
Depth	16-in
Weight	8-lbs
Pallet Qty	44 pcs



Specifications are subject to change without notice. Manufacturer reserves the right to discontinue or modify specifications or designs without notice or without incurring obligations. All rights reserved.

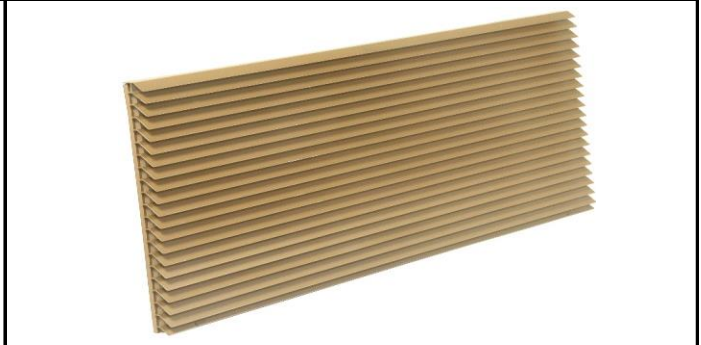
Submittal Data: GRILLE-ALU-BRONZ

Architectural Aluminum Grille

Job Name	Location	Date
Purchaser	Engineer	
Submitted To	For	<input type="checkbox"/> Reference <input type="checkbox"/> Approval <input type="checkbox"/> Construction
Schedule No.		

GENERAL FEATURES

- Decorative architectural style aluminum grille.
- Powder coat painted for superior adhesion & protection.
- 42 in. x 16 in. design.
- Designed to be mounted easily from inside the room.
- Right & left drain hole knockouts provided.
- Condenser air baffle/gaskets with vertical air deflectors.



Specifications

Material: Extruded aluminum, Alloy 6063-T5
 Finish: Bronze
 Louver Thickness: 0.04 inch (1.016 mm), nominal
 Louver Pitch: 50°
 Condenser Free Area: 65.3 %

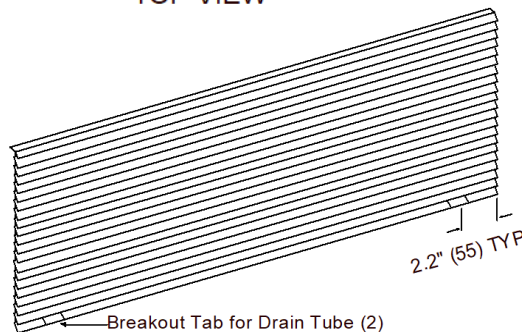
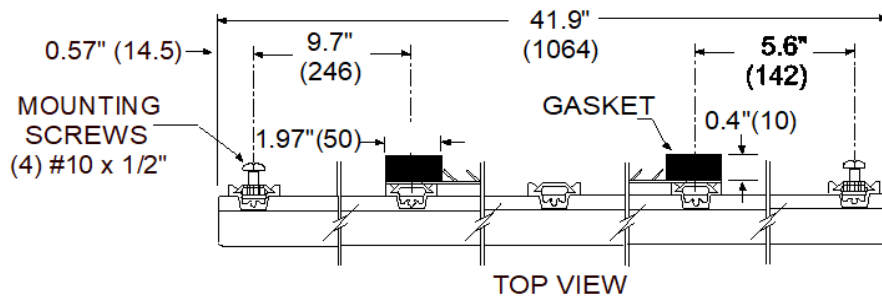
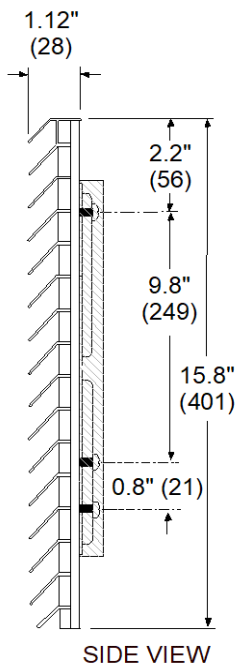
Unit Dimensions

Length	41.9-in
Height	15.8-in
Depth	1.6-in
Weight	7.5-lbs

Shipping Dimensions

Length	43.5-in
Height	2-in
Depth	16-in
Weight	8-lbs
Pallet Qty	44 pcs

Units: Inch(mm)



Specifications are subject to change without notice. Manufacturer reserves the right to discontinue or modify specifications or designs without notice or without incurring obligations. All rights reserved.

Submittal Data: GRILLE-ALU-MBRONZ

Architectural Aluminum Grille

Job Name	Location	Date
Purchaser	Engineer	
Submitted To	For	<input type="checkbox"/> Reference <input type="checkbox"/> Approval <input type="checkbox"/> Construction
Schedule No.		

GENERAL FEATURES

- Decorative architectural style aluminum grille.
- Powder coat painted for superior adhesion & protection.
- 42 in. x 16 in. design.
- Designed to be mounted easily from inside the room.
- Right & left drain hole knockouts provided.
- Condenser air baffle/gaskets with vertical air deflectors.



Specifications

Material: Extruded aluminum, Alloy 6063-T5
 Finish: Medium Bronze
 Louver Thickness: 0.04 inch (1.016 mm), nominal
 Louver Pitch: 50°
 Condenser Free Area: 65.3 %

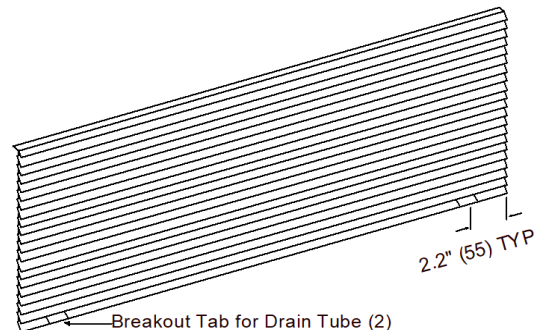
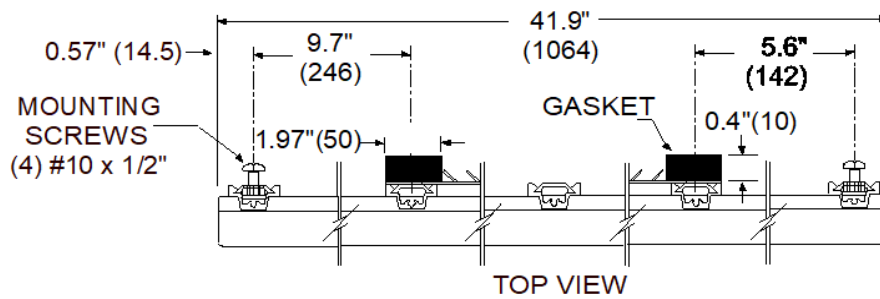
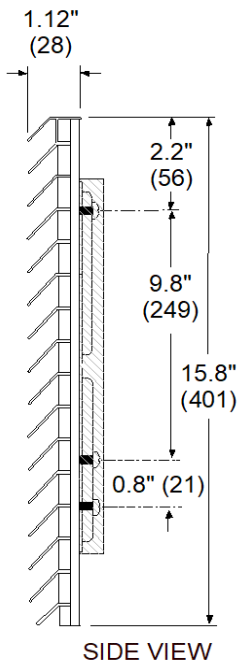
Unit Dimensions

Length	41.9-in
Height	15.8-in
Depth	1.6-in
Weight	7.5-lbs

Shipping Dimensions

Length	43.5-in
Height	2-in
Depth	16-in
Weight	8-lbs
Pallet Qty	44 pcs

Units: Inch(mm)



Specifications are subject to change without notice. Manufacturer reserves the right to discontinue or modify specifications or designs without notice or without incurring obligations. All rights reserved.

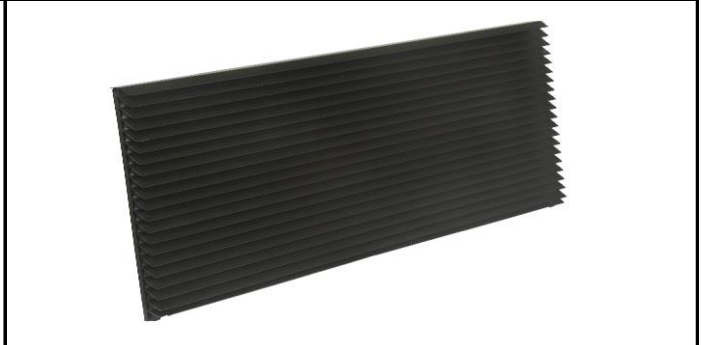
Submittal Data: GRILLE-ALU-DBRONZ

Architectural Aluminum Grille

Job Name	Location	Date
Purchaser	Engineer	
Submitted To	For	<input type="checkbox"/> Reference <input type="checkbox"/> Approval <input type="checkbox"/> Construction
Schedule No.		

GENERAL FEATURES

- Decorative architectural style aluminum grille.
- Powder coat painted for superior adhesion & protection.
- 42 in. x 16 in. design.
- Designed to be mounted easily from inside the room.
- Right & left drain hole knockouts provided.
- Condenser air baffle/gaskets with vertical air deflectors.



Specifications

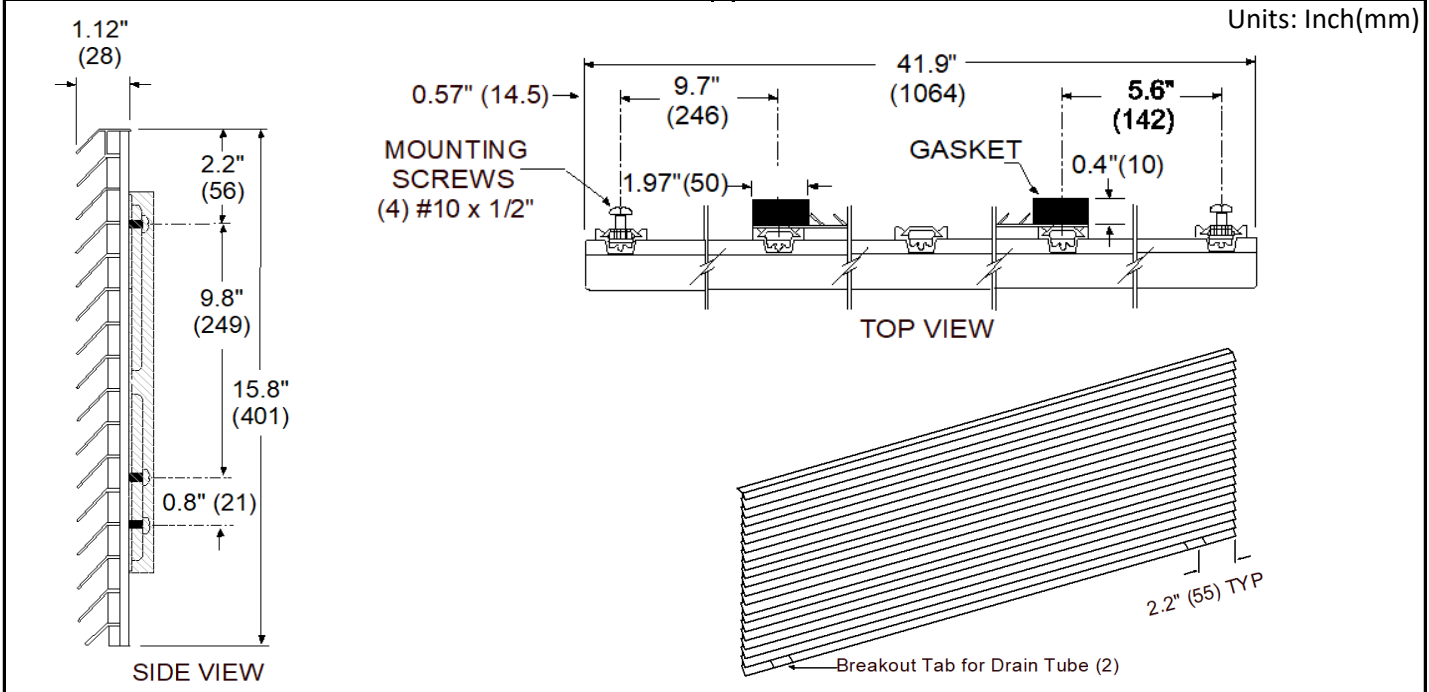
Material: Extruded aluminum, Alloy 6063-T5
 Finish: Dark Bronze/Brown
 Louver Thickness: 0.04 inch (1.016 mm), nominal
 Louver Pitch: 50°
 Condenser Free Area: 65.3 %

Unit Dimensions

Length	41.9-in
Height	15.8-in
Depth	1.12-in
Weight	7.5-lbs

Shipping Dimensions

Length	43.5-in
Height	2-in
Depth	16-in
Weight	8-lbs
Pallet Qty	44 pcs



Specifications are subject to change without notice. Manufacturer reserves the right to discontinue or modify specifications or designs without notice or without incurring obligations. All rights reserved.

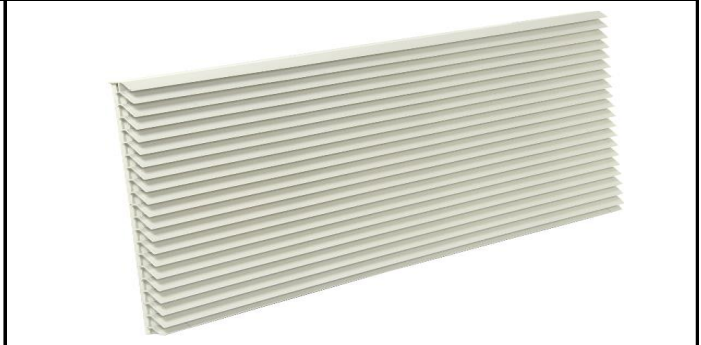
Submittal Data: GRILLE-ALU-SDOVE

Architectural Aluminum Grille

Job Name	Location	Date
Purchaser	Engineer	
Submitted To	For	<input type="checkbox"/> Reference <input type="checkbox"/> Approval <input type="checkbox"/> Construction
Schedule No.		

GENERAL FEATURES

- Decorative architectural style aluminum grille.
- Powder coat painted for superior adhesion & protection.
- 42 in. x 16 in. design.
- Designed to be mounted easily from inside the room.
- Right & left drain hole knockouts provided.
- Condenser air baffle/gaskets with vertical air deflectors.



Specifications

Material: Extruded aluminum, Alloy 6063-T5
 Finish: Soft Dove Beige
 Louver Thickness: 0.04 inch (1.016 mm), nominal
 Louver Pitch: 50°
 Condenser Free Area: 65.3 %

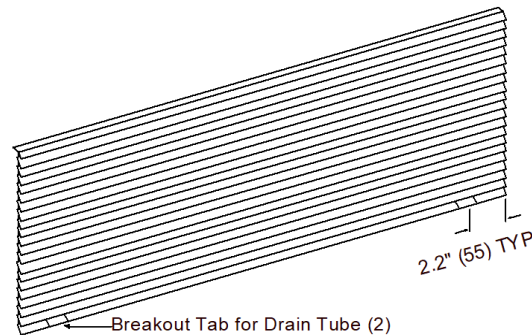
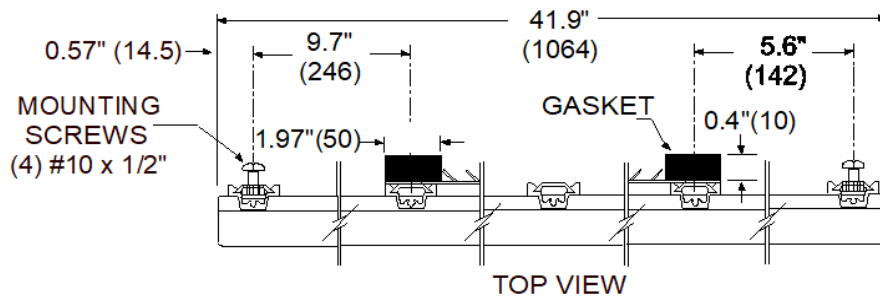
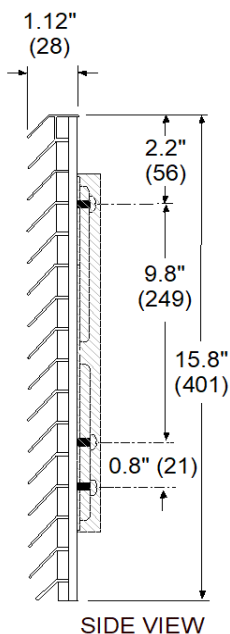
Unit Dimensions

Length	41.9-in
Height	15.8-in
Depth	1.12-in
Weight	7.5-lbs

Shipping Dimensions

Length	43.5-in
Height	2-in
Depth	16-in
Weight	8-lbs
Pallet Qty	44 pcs

Units: Inch(mm)



Specifications are subject to change without notice. Manufacturer reserves the right to discontinue or modify specifications or designs without notice or without incurring obligations. All rights reserved.

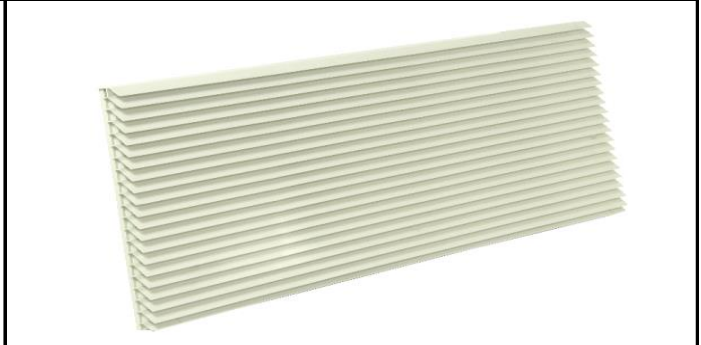
Submittal Data: GRILLE-ALU-WHITE

Architectural Aluminum Grille

Job Name	Location	Date
Purchaser	Engineer	
Submitted To	For	<input type="checkbox"/> Reference <input type="checkbox"/> Approval <input type="checkbox"/> Construction
Schedule No.		

GENERAL FEATURES

- Decorative architectural style aluminum grille.
- Powder coat painted for superior adhesion & protection.
- 42 in. x 16 in. design.
- Designed to be mounted easily from inside the room.
- Right & left drain hole knockouts provided.
- Condenser air baffle/gaskets with vertical air deflectors.



Specifications

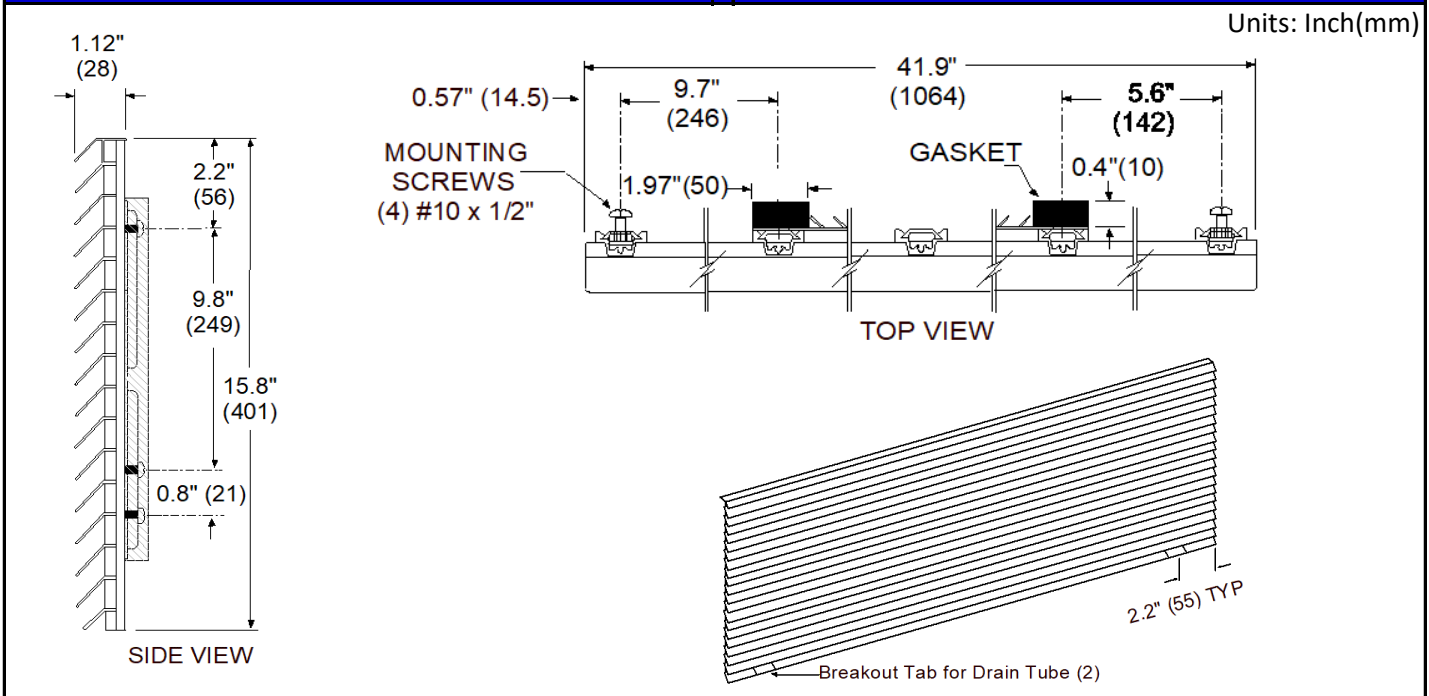
Material: Extruded aluminum, Alloy 6063-T5
 Finish: Antique White
 Louver Thickness: 0.04 inch (1.016 mm), nominal
 Louver Pitch: 50°
 Condenser Free Area: 65.3 %

Unit Dimensions

Length	41.9-in
Height	15.8-in
Depth	1.12-in
Weight	7.5-lbs

Shipping Dimensions

Length	43.5-in
Height	2-in
Depth	16-in
Weight	8-lbs
Pallet Qty	44 pcs



Specifications are subject to change without notice. Manufacturer reserves the right to discontinue or modify specifications or designs without notice or without incurring obligations. All rights reserved.

Submittal Data: GRILLE-ALU-UWHITE

Architectural Aluminum Grille

Job Name _____ Location _____ Date _____

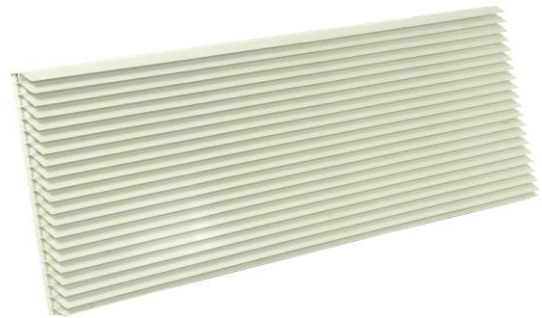
Purchaser _____ Engineer _____

Submitted To _____ For Reference Approval Construction

Schedule No. _____

GENERAL FEATURES

- Decorative architectural style aluminum grille.
- Powder coat painted for superior adhesion & protection.
- 42 in. x 16 in. design.
- Designed to be mounted easily from inside the room.
- Right & left drain hole knockouts provided.
- Condenser air baffle/gaskets with vertical air deflectors.



Specifications

Material: Extruded aluminum, Alloy 6063-T5
 Finish: Ultra Bright White
 Louver Thickness: 0.04 inch (1.016 mm), nominal
 Louver Pitch: 50°
 Condenser Free Area: 65.3 %

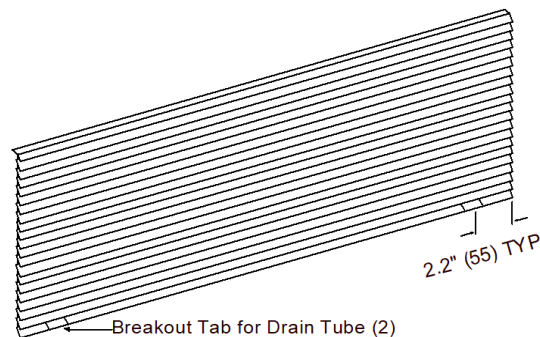
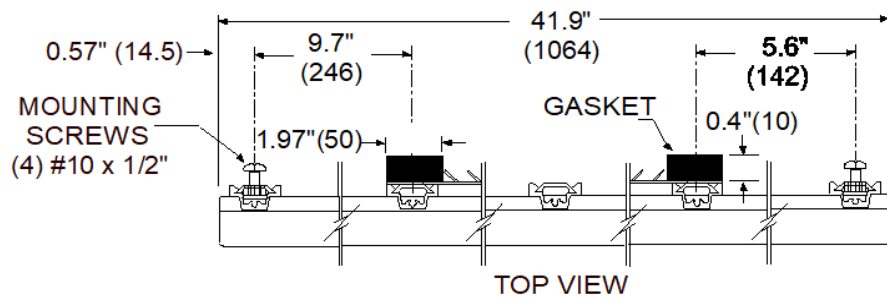
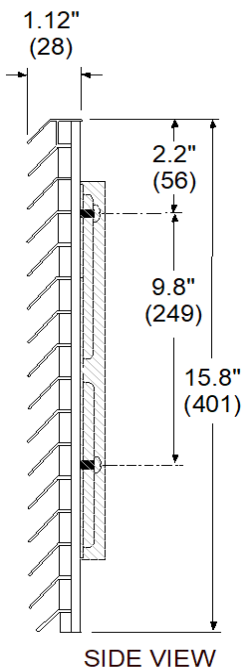
Unit Dimensions

Length	41.9-in
Height	15.8-in
Depth	1.12-in
Weight	7.5-lbs

Shipping Dimensions

Length	43.5-in
Height	2-in
Depth	16-in
Weight	8-lbs
Pallet Qty	44 pcs

Units: Inch(mm)



Specifications are subject to change without notice. Manufacturer reserves the right to discontinue or modify specifications or designs without notice or without incurring obligations. All rights reserved.