

**Submittal Data:**
**PTAC With Universal Heater - 7,000 to 15,000 Cooling & Heat Pump w/ Backup Electric Heating Models (Power Cord / Hard Wire Kit Required)**
**208/230 Voltage**

Job Name	Location	Date
Purchaser	Engineer	Phone
Submitted To	For <input type="checkbox"/> Reference <input type="checkbox"/> Approval <input type="checkbox"/> New Construction <input type="checkbox"/> Revovation Project	
Unit Designation	Schedule No.	

**GENERAL FEATURES**

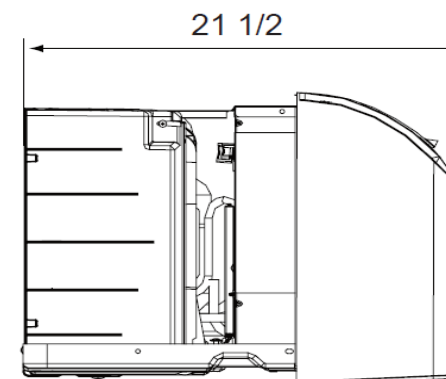
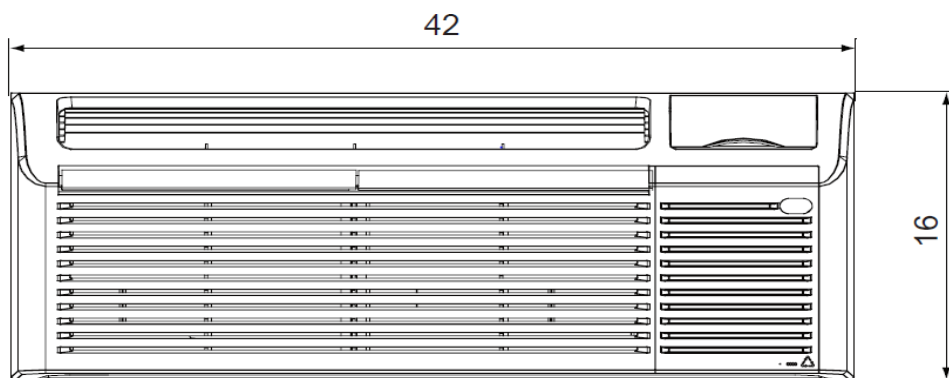
- Industry Standard Size 42" x 16" - Designed to easily install in most standard wall sleeve (Contractor must verify)
- Electronic Touch Pad
- IR Remote Control (Optional)
- Wired, Wireless Wall Thermostat & Energy Management System Interface
- LCDI Power Cord (Optional)
- Condensate Slinger Ring Disposal
- Separate Multi-Speed Indoor & Outdoor Fan Motors
- Dry Mode
- Industry's Longest Standard 5 Year Parts Warranty.


**Performance Specification**

Model Number	Capacity (BTU/H)					Dehumi - dification (Pints/Hr)	Energy Efficiency Ratio (EER)	COP	Sensible Heat Factor	Indoor Fan CFM (Hi/Low)	AHRI Certification Number
	Cooling	Reverse Cycle	Universal Electric Heating								
			2.45 KW	3.45 KW	5.0 KW						
<b>208/230 Volt</b>											
GAA07AE-D3NRNB2G	7,000/7,200	5,800/6,000	6,800/8,300	9,600/11,700	-	1.69	13.0	3.6/3.6	86%	312/282	8703491
GAA09AE-D3NRNB2G	9,200/9,400	8,100/8,300	6,800/8,300	9,600/11,700	-	2.11	12.1	3.5/3.5	85%	329/294	8703492
GAA12AE-D3NRNB2G	11,600/11,800	10,400/10,600	6,800/8,300	9,600/11,700	13,900/17,000	2.75	11.6	3.4/3.4	75%	341/306	8703493
GAA15AE-D3NRNB2G	14,200/14,500	13,000/13,300	6,800/8,300	9,600/11,700	13,900/17,000	3.17	10.4	3.1/3.1	67%	341/306	8703494

**Electrical Specification**

Model Number	Voltage	Input Power (Watts)					Current (Amps)					Max Fuse Size (Amps) (Based on Power Cord Selection)
		Cooling	Reverse Cycle	Universal Electric Heating			Cooling	Reverse Cycle	Universal Electric Heating			
				2.45 KW	3.45 KW	5.0 KW			2.45 KW	3.45 KW	5.0 KW	
<b>208/230 Volt</b>												
GAA07AE-D3NRNB2G	208/230	535/550	470/485	2,003/2,450	2,821/3,450	-	2.9/2.7	2.6/2.4	9.7/10.7	13.6/15.0	-	15, 20
GAA09AE-D3NRNB2G	208/230	760/775	675/695	2,003/2,450	2,821/3,450	-	3.9/3.7	3.4/3.2	9.7/10.7	13.6/15.0	-	15, 20
GAA12AE-D3NRNB2G	208/230	1,000/1,015	895/910	2,003/2,450	2,821/3,450	4,089/5,000	5.1/4.9	4.7/4.2	9.7/10.7	13.6/15.0	19.7/21.8	15, 20, 30
GAA15AE-D3NRNB2G	208/230	1,365/1,390	1,225/1,255	2,003/2,450	2,821/3,450	4,089/5,000	6.7/6.2	6.7/6.2	9.7/10.7	13.6/15.0	19.7/21.8	15, 20, 30



## Dimensional Specifications

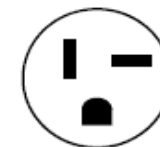
### Universal Power Cord Selection

### Receptacle Configuration

Model Number	Voltage	Breaker Size	Electric Heater KW	Minimum Circuit Ampacity	Receptacles Type	NEMA Number
PWRCORD-230V-15A	208/230	15	2.45	14	Tandem	6-15P
PWRCORD-230V-20A	208/230	20	3.45	19	Perpendicular	6-20P
PWRCORD-230V-30A	208/230	30	5.0	28	Large Tandem	6-30P



Tandem  
208/230V 15 Amp  
NEMA6-15R



Perpendicular  
208/230V 20 Amp  
NEMA6-20R



Large Tandem  
208/230V 30 Amp  
NEMA6-30R

