



SUBMITTAL DATA

GWH30QFXH-D3DNB2A/I / GWH30QFXH-D3DNB2A/O
30000 BTU/H Wall Mounted Heat Pump System

Job Name

Location

Date

Purchaser

Engineer

Submitted to

For

Unit Designation

Schedule No.



YAP1F7F



GWH30QFXH-D3DNB2A/I



GWH30QFXH-D3DNB2A/O



XE71 (Optional)

GENERAL FEATURES

- AHRI Certificate: [208798357](#)
- High Efficiency DC Inverter Technology
- Compact and Quiet Design
- Wireless Remote with LCD Display
- Wired Controller Options
- 10 Years Parts Warranty
- Wi-Fi Included
- Low Ambient Cooling down to 0°F (Range 0°F to 115°F)
- Low Ambient Heating down to -13°F (Range -13°F to 75°F)
- Coil (Indoor and Outdoor) Copper Tube / Aluminum Fin
- Blue Colored Fin - 500 Hrs Salt Spray Tested

SPECIFICATIONS, FEATURES & FUNCTION SUMMARY

SPECIFICATIONS	GWH30QFXH-D3DNB2A		
System Type	HEAT PUMP		
SYSTEM PERFORMANCE			
Cooling	Min - Max	Btu/h	7780 - 35500
	Capacity @95°F	Btu/h	30000
Heating	Min - Max	Btu/h	9100 - 36850
	Capacity @5°F	Btu/h	
	Capacity @17°F	Btu/h	17500
	Capacity @47°F	W	30000
SEER2			20.0
EER2			11.3
HSPF2			8.5
COP @5°F			
COP @47°F			3.4
Cooling Temperature Range	°F	-4 - 115	
Heating Temperature Range	°F	-13 - 75	
Refrigerant Type			R410A
INDOOR UNIT			GWH30QFXH-D3DNB2A/I
Air flow (Min-Max)	CFM	471 - 912	
Sound Pressure Level (Min - Max)	dB(A)	37 - 56	
Dehumidification	pt/hr	7.40	
External Dimensions (WxHxD)	in	53-3/16 x 12-13/16 x 9-15/16	
Package Dimension (W x H x D)	in	56-3/4 x 16-5/8 x 14-1/2	
Net Weight	lbs	44.1	
Gross Weight	lbs	54.0	
OUTDOOR UNIT			GWH30QFXH-D3DNB2A/O
Compressor Type			GREE G-10 / 2 - STAGE INVERTER
Sound Pressure Level	dB(A)	62	
External Dimensions (W x H x D)	in	39-3/8 x 29-3/8 x 16-13/16	
Package Dimension (W x H x D)	in	42-9/16 x 31-15/16 x 19-1/16	
Net Weight	lbs	113.6	
Gross Weight	lbs	124.6	
REFRIGERANT PIPING			
Refrigerant Charge - R410A	oz	74.1	
Additional Charge	oz/ft	0.5	
Line Set Size (Liquid - Gas) - Flared Connections	in	1/4 - 5/8	
Pre-Charge Length	ft	25	
Pipe Length (Min - Max)	ft	10 - 82	
Max. Pipe Elevation	ft	33	
ELECTRICAL			
Power Supply			208 - 230V / 1Ph /60Hz
Voltage Range (Min - Max)	VAC	187 - 253	
Rated Current - Cooling	A	19	
Rated Current - Heating	A	18	
MCA	A	20	
MOCP	A	30	
Suggested Breaker Size	A	20	
Main Power Wire Size	AWG	Per Local Code	
Interconnecting Wire Size	AWG	14 / 4	

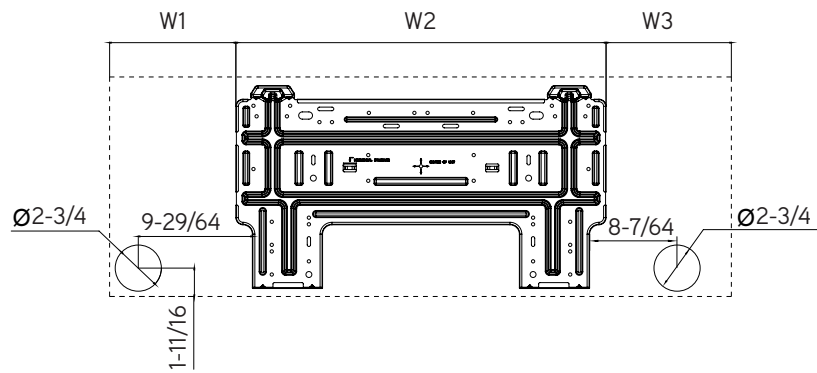
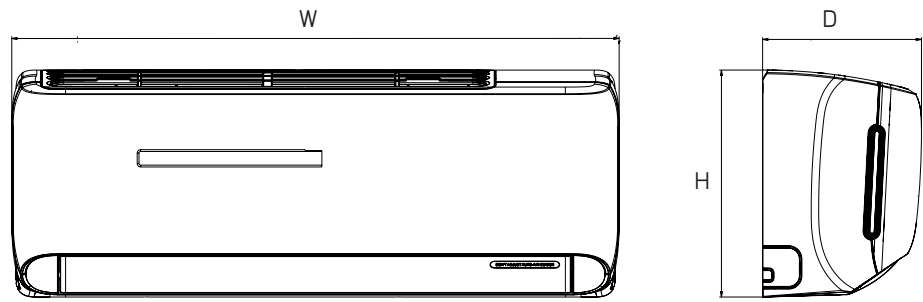
FEATURES & FUNCTIONS SUMMARY	GWH30QFXH-D3DNB2A
SYSTEM FEATURES	
Inverter Type	G10
Ultra Low Frequency Torque Control	Yes
Power Factor Correction	Yes
Compressor Type	High Efficiency Rotary
Refrigerant Type	R410A
Basepan With Electric Heater	Yes
Compressor With Electric Heater	Yes
Outdoor Fin Coating (Color:Blue)	Acrylic-Resin/Anti-Corrosive
Intelligent Defrosting	Yes
Force Defrosting	Yes
Intelligent Preheating	Yes
Low Voltage Startup	Yes
Memory/Power Failure Recovery	Yes
Self Diagnosis	Yes
Wired Controller Interface (XE71)	Yes
WiFi Included	Yes
Indoor Fan Type	Crossflow
Multi Fan Speeds	4 Speeds
Indoor Unit Display	Yes
Auxiliary Electrical Heater	No
Ventilation (Outdoor Air)	No
REMOTE CONTROLLER FUNCTIONS	
Auto Mode	Yes
Auto Fan	Yes
Manual Horizontal Swing	Yes
Auto Swing (Vertical Auto Swing)	Yes
Clock on Remote Controller	Yes
Dry Mode	Yes
Dry Anti-Mildew (X-Fan) Mode	Yes
Energy Saving Mode	Yes
Dirty Filter Alert	No
I Feel Function	Yes
Lock on Remote Controller	Yes
Quiet Mode	No
Room Temperature Display	Yes
Sleep Mode	Yes
Timer Mode	Yes
Turbo Mode	Yes
Display On/Off Control	Yes
Freeze Guard Mode (46°F)	Yes
Display On/Off Control	Yes

DIMENSIONS

INDOOR UNIT

Unit: inch

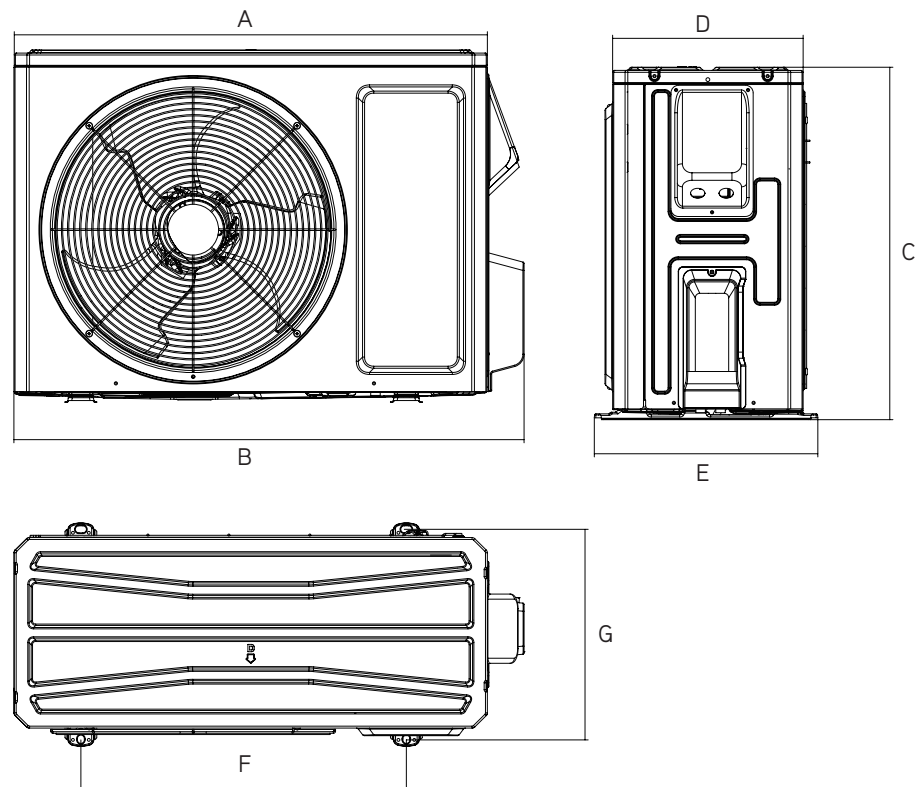
GWH30QFXH-D3DNB2A/I	
DIMENSIONS	
W	53-3/16
H	12-13/16
D	9-15/16
W1	13-25/32
W2	29-3/8
W3	10



OUTDOOR UNIT

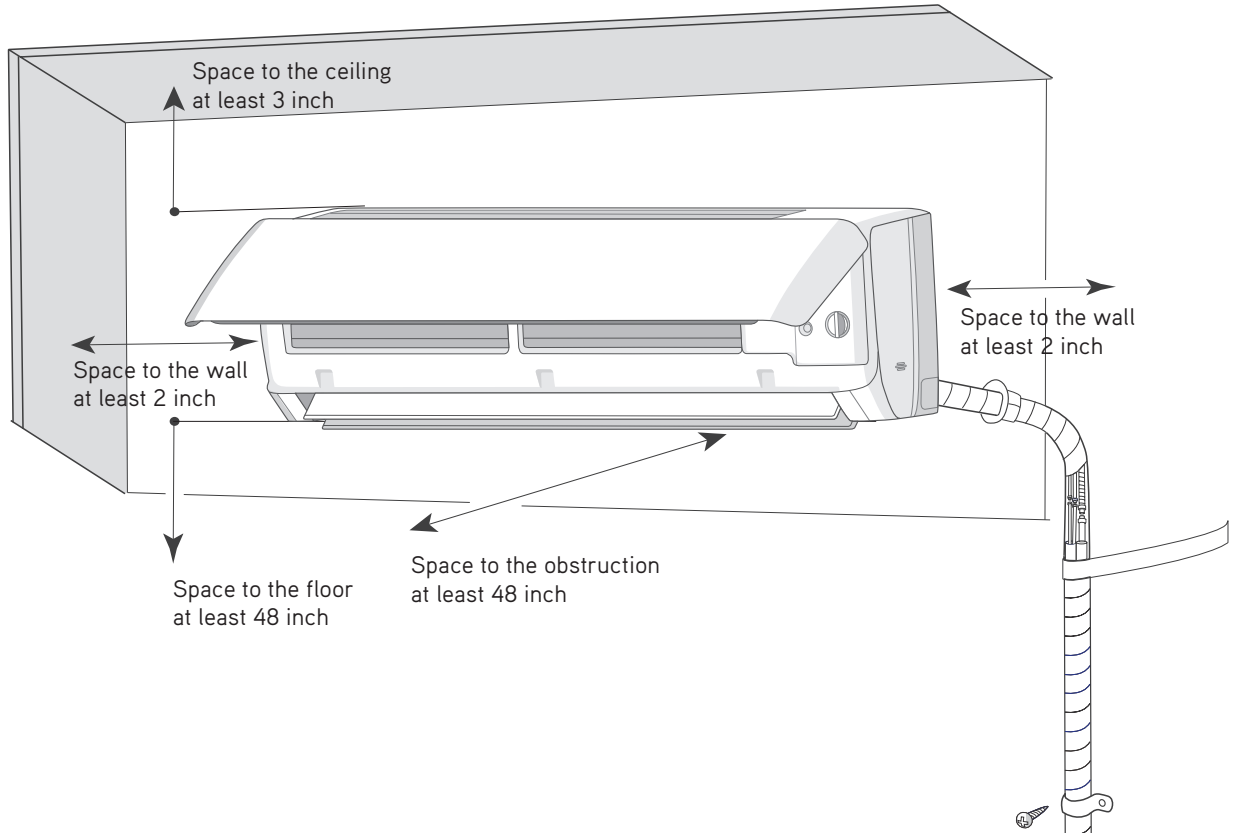
Unit: inch

GWH30QFXH-D3DNB2A/O	
DIMENSIONS	
A	36-11/32
B	39-3/8
C	29-3/8
D	14-17/32
E	16-13/16
F	24-1/64
G	15-35/64

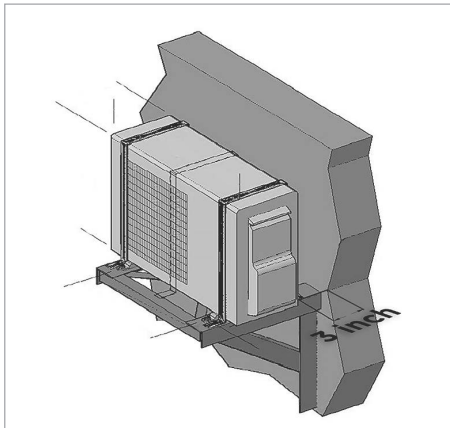


CLEARANCES

INDOOR UNIT Minimum clearance



OUTDOOR UNIT Minimum clearance



NOTE:

If bottom of the unit is free of airflow obstructions similar to the mounting bracket figure, the clearance to the wall on the back can be reduced to 3 inches.

