



SUBMITTAL DATA

GWH36QFXH-D3DNB2B/I / GWH36QFXH-D3DNB2B/O
36000 BTU/H Wall Mounted Heat Pump System

Job Name

Location

Date

Purchaser

Engineer

Submitted to

For

Unit Designation

Schedule No.



YAP1F7F



GWH36QFXH-D3DNB2B/I



GWH36QFXH-D3DNB2B/O



XE71 (Optional)

GENERAL FEATURES

- AHRI Certificate: [208798358](#)
- High Efficiency DC Inverter Technology
- Compact and Quiet Design
- Wireless Remote with LCD Display
- Wired Controller Options
- 10 Years Parts Warranty
- Wi-Fi Included
- Low Ambient Cooling down to 0°F (Range 0°F to 115°F)
- Low Ambient Heating down to -13°F (Range -13°F to 75°F)
- Coil (Indoor and Outdoor) Copper Tube / Aluminum Fin
- Blue Colored Fin - 500 Hrs Salt Spray Tested

SPECIFICATIONS, FEATURES & FUNCTION SUMMARY

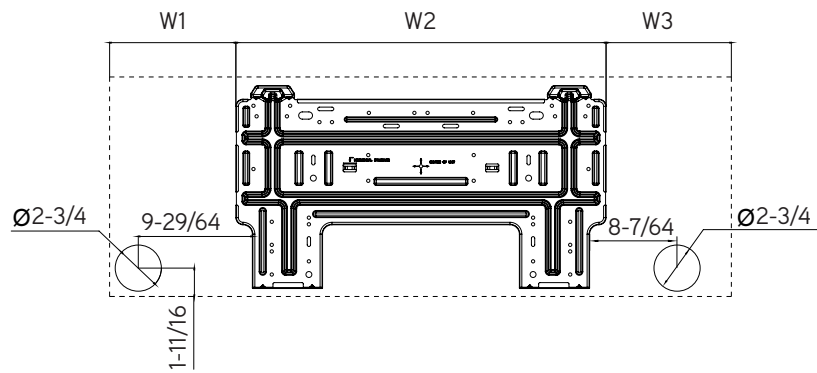
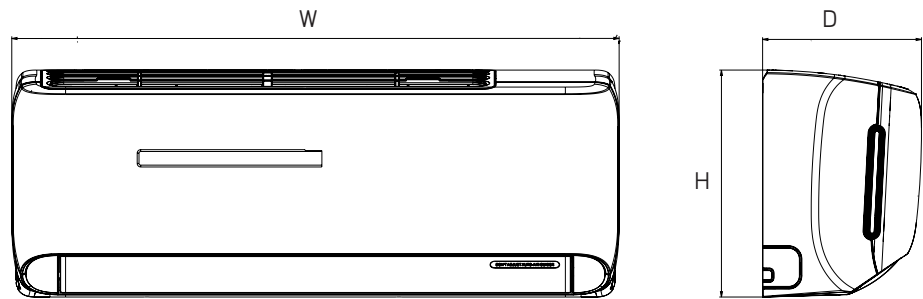
SPECIFICATIONS		GWH36QFXH-D3DNB2B		FEATURES & FUNCTIONS SUMMARY		GWH36QFXH-D3DNB2B	
System Type		HEAT PUMP					
SYSTEM PERFORMANCE							
Cooling	Min - Max	Btu/h	7500 - 37200				
	Capacity @95°F	Btu/h	33600				
Heating	Min - Max	Btu/h	10200 - 38500				
	Capacity @5°F	Btu/h					
	Capacity @17°F	Btu/h	21000				
	Capacity @47°F	W	34600				
SEER2	20.0						
EER2	10.5						
HSPF/HSPF2	9/8.5						
COP @5°F	3.2						
COP @47°F							
Cooling Temperature Range	°F	-4 - 115					
Heating Temperature Range	°F	-13 - 75					
Refrigerant Type	R410A						
INDOOR UNIT		GWH36QFXH-D3DNB2B/I					
Air flow (Min-Max)	CFM	471 - 912					
Sound Pressure Level (Min - Max)	dB(A)	37 - 56					
Dehumidification	pt/hr	7.40					
External Dimensions (WxHxD)	in	53-3/16 x 12-13/16 x 9-15/16					
Package Dimension (W x H x D)	in	56-3/4 x 16-5/8 x 14-1/2					
Net Weight	lbs	44.1					
Gross Weight	lbs	54.0					
OUTDOOR UNIT		GWH36QFXH-D3DNB2B/O					
Compressor Type		GREE G-10 / 2 - STAGE INVERTER					
Sound Pressure Level	dB(A)	62					
External Dimensions (W x H x D)	in	39-3/8 x 29-3/8 x 16-13/16					
Package Dimension (W x H x D)	in	42-9/16 x 31-15/16 x 19-1/16					
Net Weight	lbs	127.9					
Gross Weight	lbs	138.9					
REFRIGERANT PIPING							
Refrigerant Charge - R410A	oz	84.7					
Additional Charge	oz/ft	0.5					
Line Set Size (Liquid - Gas) - Flared Connections	in	1/4 - 5/8					
Pre-Charge Length	ft	25					
Pipe Length (Min - Max)	ft	10 - 82					
Max. Pipe Elevation	ft	33					
ELECTRICAL							
Power Supply	208 - 230V / 1Ph /60Hz						
Voltage Range (Min - Max)	VAC	187 - 253					
Rated Current - Cooling	A	20					
Rated Current - Heating	A	18					
MCA	A	23					
MOCP	A	35					
Suggested Breaker Size	A	25					
Main Power Wire Size	AWG	Per Local Code					
Interconnecting Wire Size	AWG	14 / 4					
SYSTEM FEATURES							
Inverter Type	G10						
Ultra Low Frequency Torque Control	Yes						
Power Factor Correction	Yes						
Compressor Type	High Efficiency Rotary						
Refrigerant Type	R410A						
Basepan With Electric Heater	Yes						
Compressor With Electric Heater	Yes						
Outdoor Fin Coating (Color:Blue)	Acrylic-Resin/Anti-Corrosive						
Intelligent Defrosting	Yes						
Force Defrosting	Yes						
Intelligent Preheating	Yes						
Low Voltage Startup	Yes						
Memory/Power Failure Recovery	Yes						
Self Diagnosis	Yes						
Wired Controller Interface (XE71)	Yes						
WiFi Included	Yes						
Indoor Fan Type	Crossflow						
Multi Fan Speeds	4 Speeds						
Indoor Unit Display	Yes						
Auxiliary Electrical Heater	No						
Ventilation (Outdoor Air)	No						
REMOTE CONTROLLER FUNCTIONS							
Auto Mode	Yes						
Auto Fan	Yes						
Manual Horizontal Swing	Yes						
Auto Swing (Vertical Auto Swing)	Yes						
Clock on Remote Controller	Yes						
Dry Mode	Yes						
Dry Anti-Mildew (X-Fan) Mode	Yes						
Energy Saving Mode	Yes						
Dirty Filter Alert	No						
I Feel Function	Yes						
Lock on Remote Controller	Yes						
Quiet Mode	No						
Room Temperature Display	Yes						
Sleep Mode	Yes						
Timer Mode	Yes						
Turbo Mode	Yes						
Display On/Off Control	Yes						
Freeze Guard Mode (46°F)	Yes						
Display On/Off Control	Yes						

DIMENSIONS

INDOOR UNIT

Unit: inch

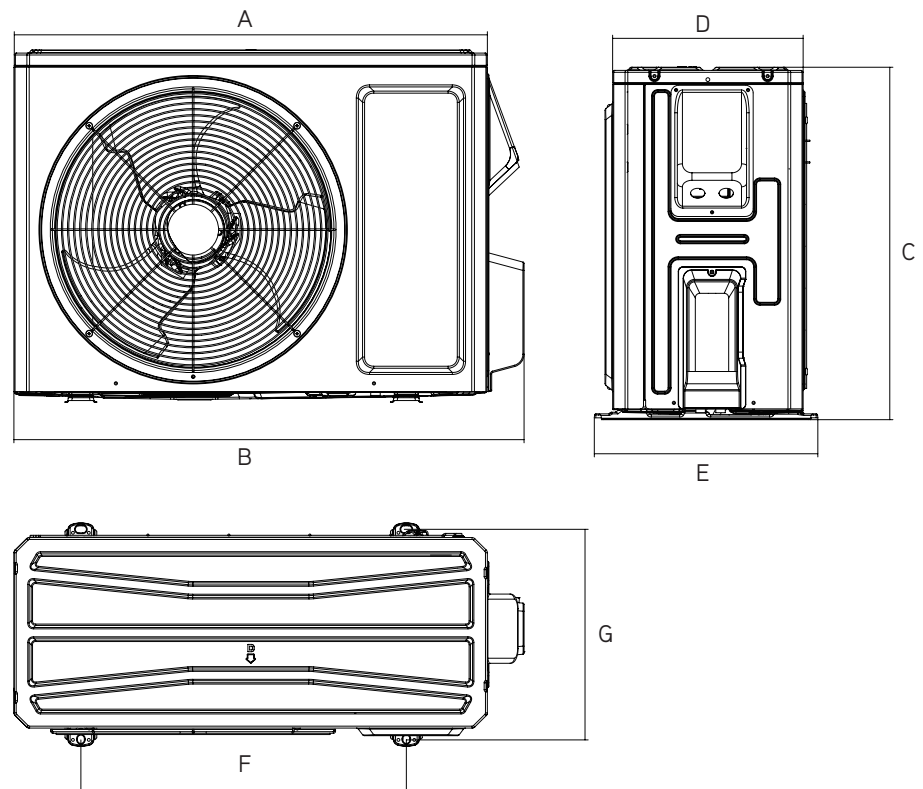
GWH36QFXH-D3DNB2B/I	
DIMENSIONS	
W	53-3/16
H	12-13/16
D	9-15/16
W1	13-25/32
W2	29-3/8
W3	10



OUTDOOR UNIT

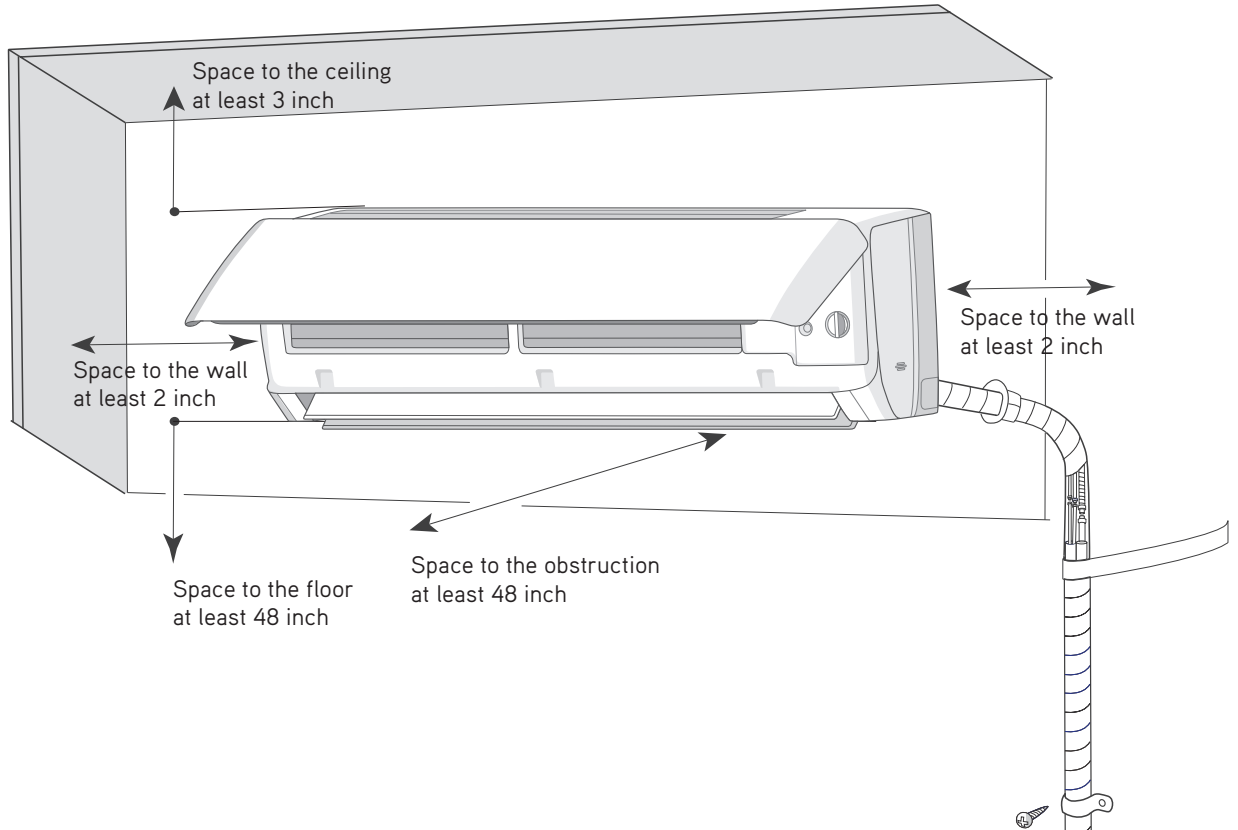
Unit: inch

GWH36QFXH-D3DNB2B/O	
DIMENSIONS	
A	36-11/32
B	39-3/8
C	29-3/8
D	14-17/32
E	16-13/16
F	24-1/64
G	15-35/64

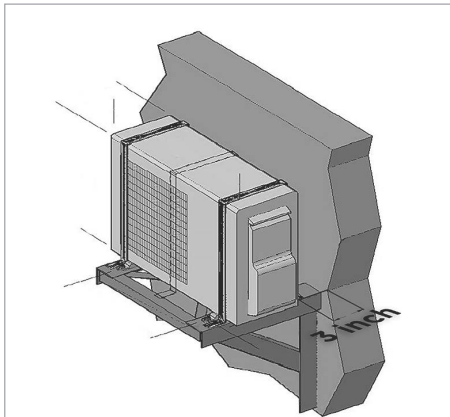


CLEARANCES

INDOOR UNIT Minimum clearance



OUTDOOR UNIT Minimum clearance



NOTE:

If bottom of the unit is free of airflow obstructions similar to the mounting bracket figure, the clearance to the wall on the back can be reduced to 3 inches.

