



**SUBMITTAL DATA: FXA2A-D / FXA3A-D / FXB5A-D
GREE BU Module**

Project Name:	Date:
Purchaser:	Location:
Submitted to:	Unit Designation:
Submitted by:	Schedule Reference:

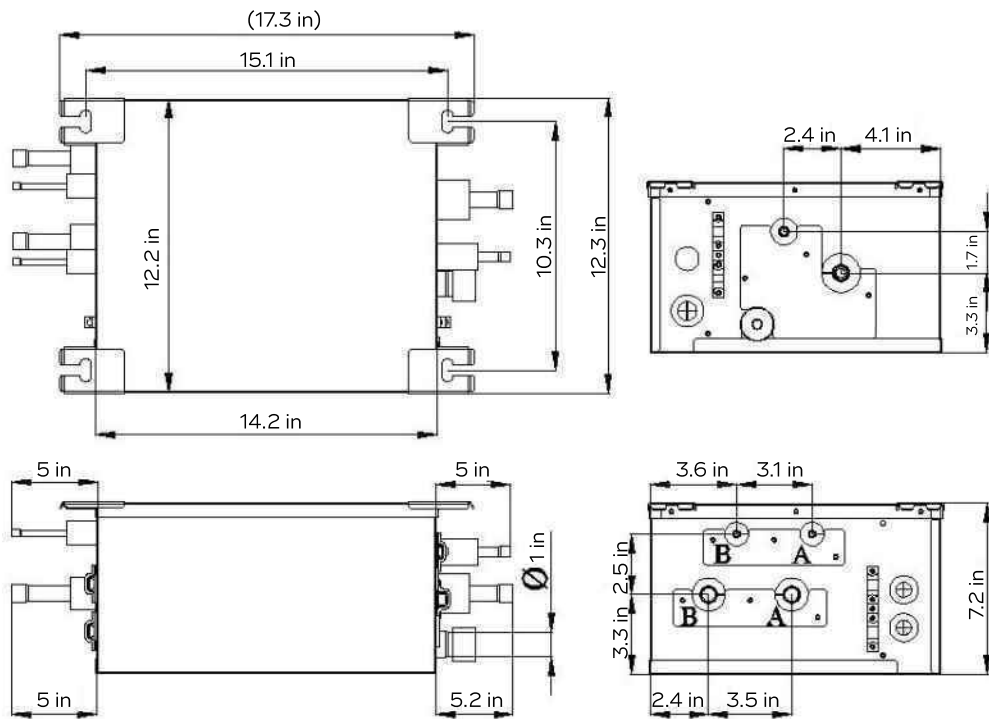


Product Data of BU Module

Model			FXA2A-D	FXA3A-D	FXB5A-D
Maximum number of connectable indoor units			2	3	5
Power Supply		V-Ph-Hz	208/230-1-60		
Connection port to outdoor unit	Gas Pipe (inner diameter)	in.	5/8	5/8	5/8
	Liquid Pipe (inner diameter)	in.	3/8	3/8	3/8
	Connection Method		Flare	Flare	Flare
Connection port to indoor unit	Gas pipe (inner diameter)	in.	5/8	5/8	3/8
	Liquid pipe (inner diameter)	in.	1/4	1/4	1/4
	Connection Method		Flare	Flare	Flare
Drainage pipe	External dia.	in.	1-1/4	1-1/4	1-1/4
	Thickness	in.	1/8	1/8	1/8
Dimension (W×D×H)	Outline(Main)	in.	See Drawings Below		
Net weight/Gross weight		lbs	12.7 / 16.5	13.7 / 17.6	19.4 / 24.3

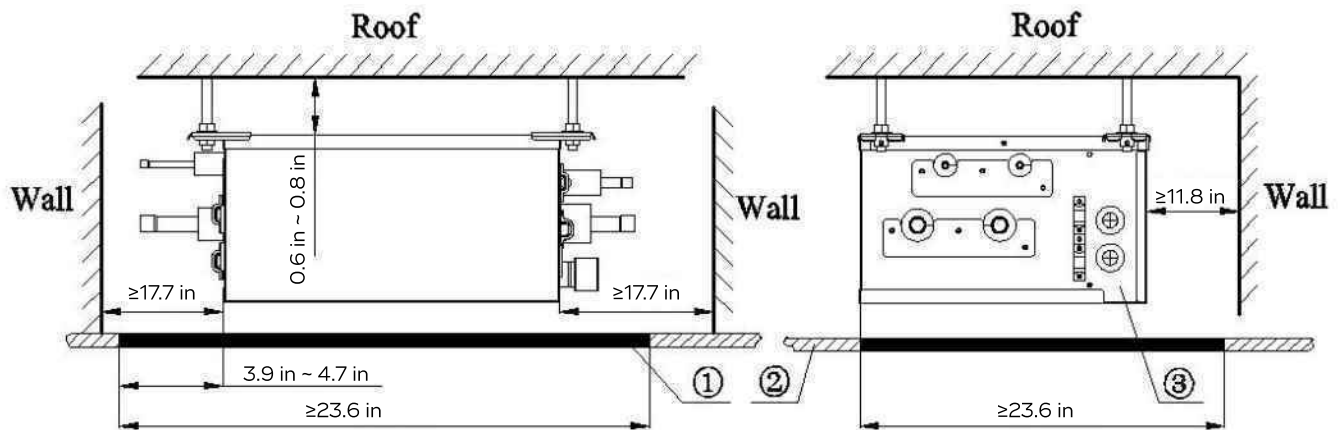
Outline Dimension and Servicing Space of FXA2A-D

1) Outline dimension



Sorts	Indoor Unit Side (in.)		Outdoor Unit Side (in.)
	Port A	Port B	
Liquid Pipe	1/4	1/4	3/8
Gas Pipe	5/8	5/8	5/8

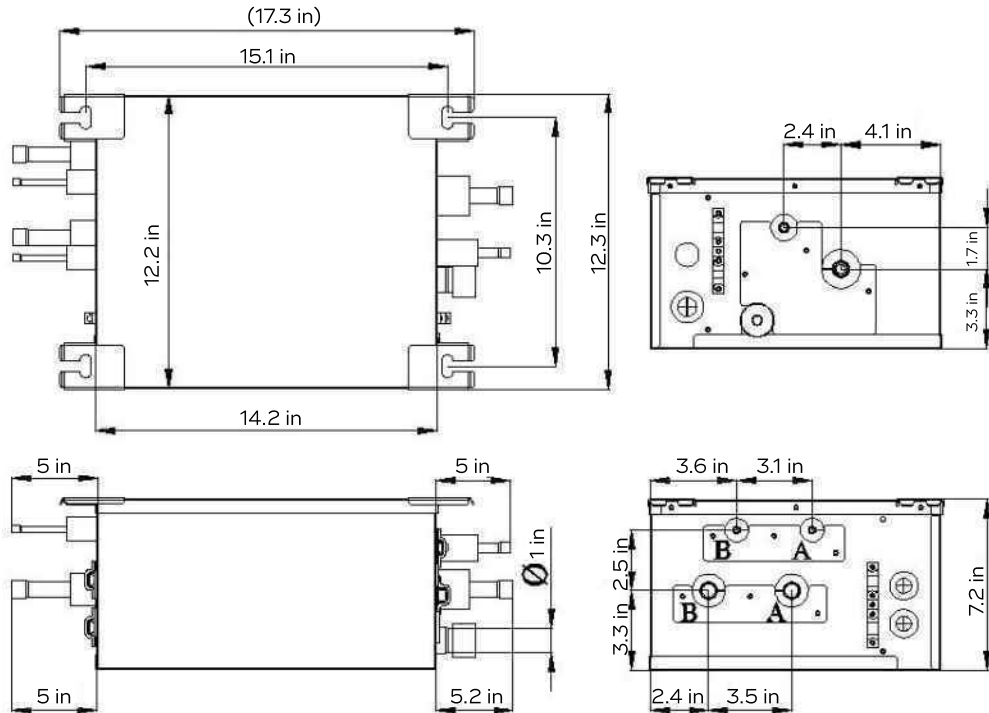
2) Installation and service space



No.	1	2	3
Name	Servicing Space	Ceiling	Electrical Box Side

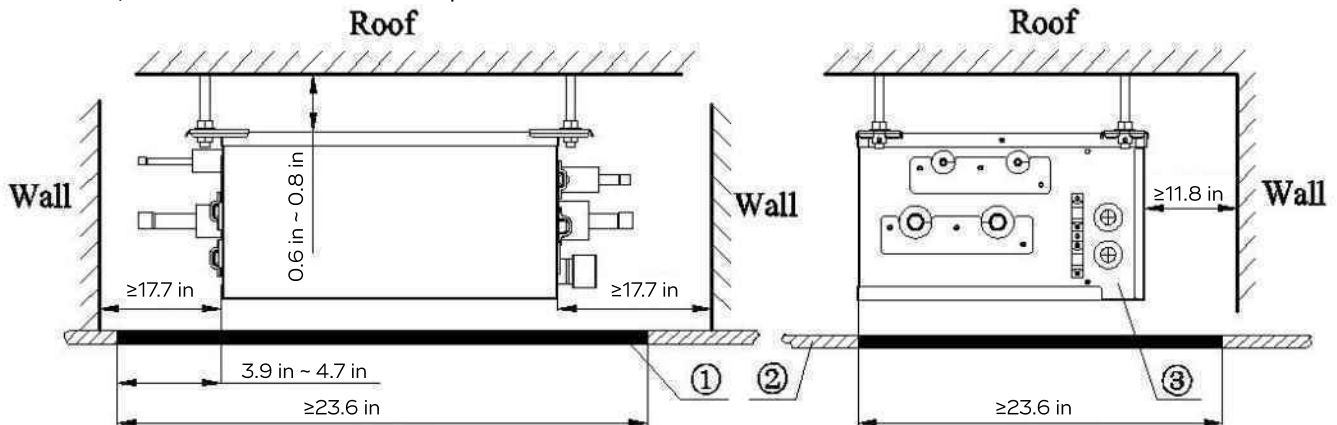
Outline Dimension and Servicing Space of FXA3A-D

1) Outline dimension



Sorts	Indoor Unit Side (in.)		Outdoor Unit Side (in.)
	Port A	Port B	
Liquid Pipe	1/4	1/4	3/8
Gas Pipe	5/8	5/8	5/8

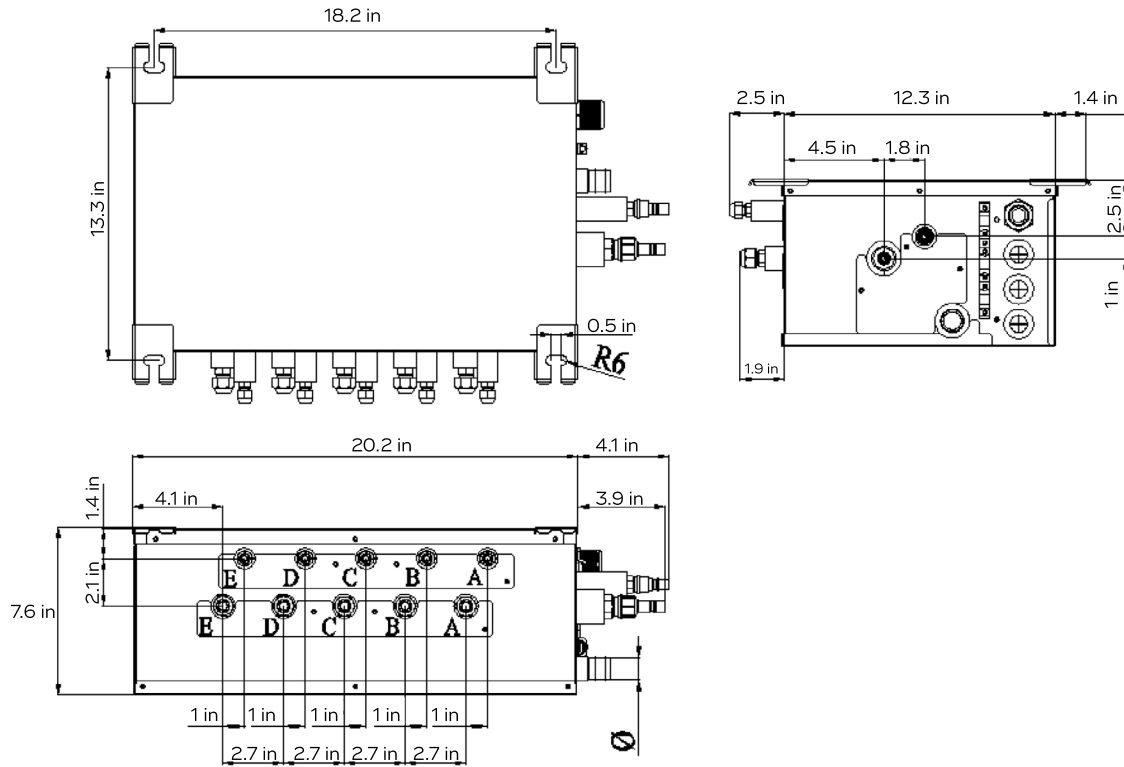
2) Installation and service space



No.	1	2	3
Name	Servicing Space	Ceiling	Electrical Box Side

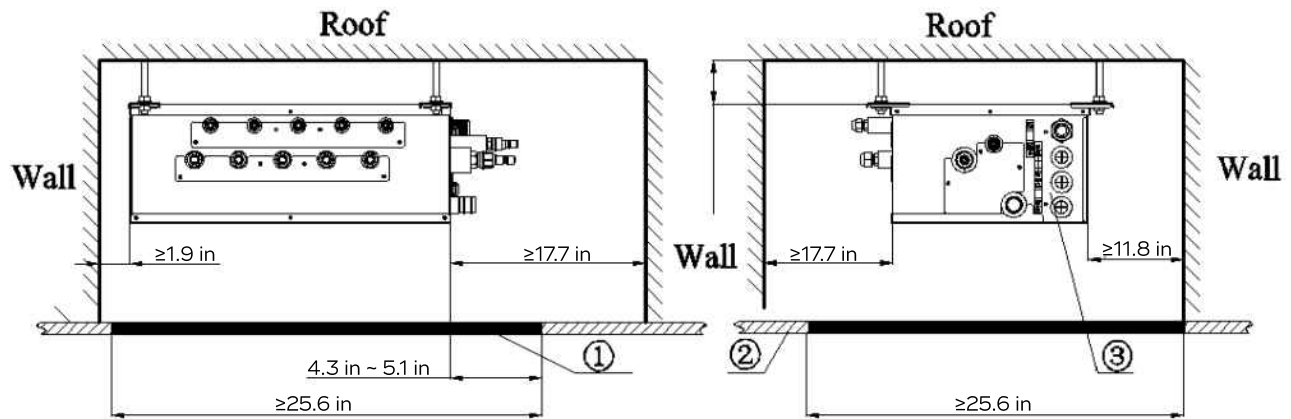
Outline Dimension and Servicing Space of FXB5A-D

1) Outline dimension



Sorts	Indoor Unit Side (in.)	Outdoor Unit Side (in.)
Liquid Pipe	1/4	3/8
Gas Pipe	3/8	5/8

2) Installation and service space



No.	1	2	3
Name	Servicing Space	Ceiling	Electrical Box Side